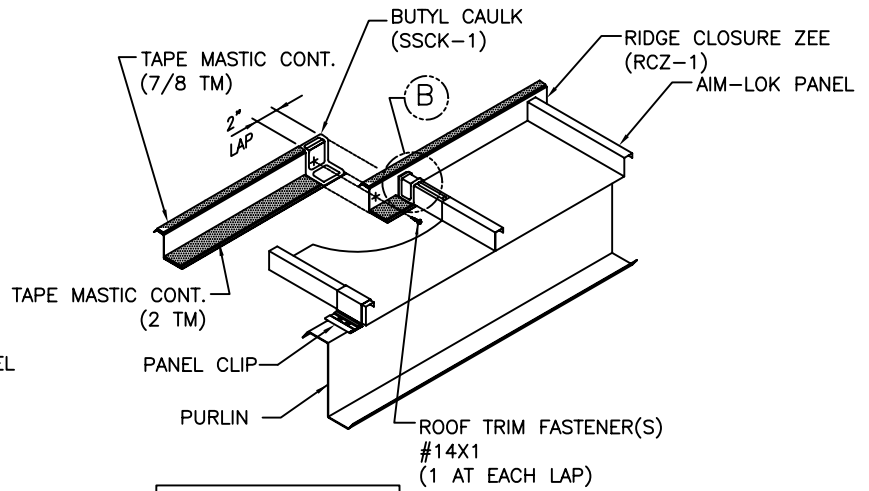
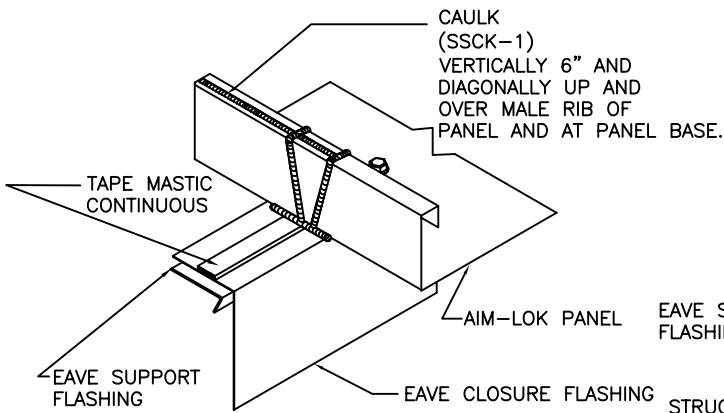


DETAIL B
RIDGE CAULKING DETAIL

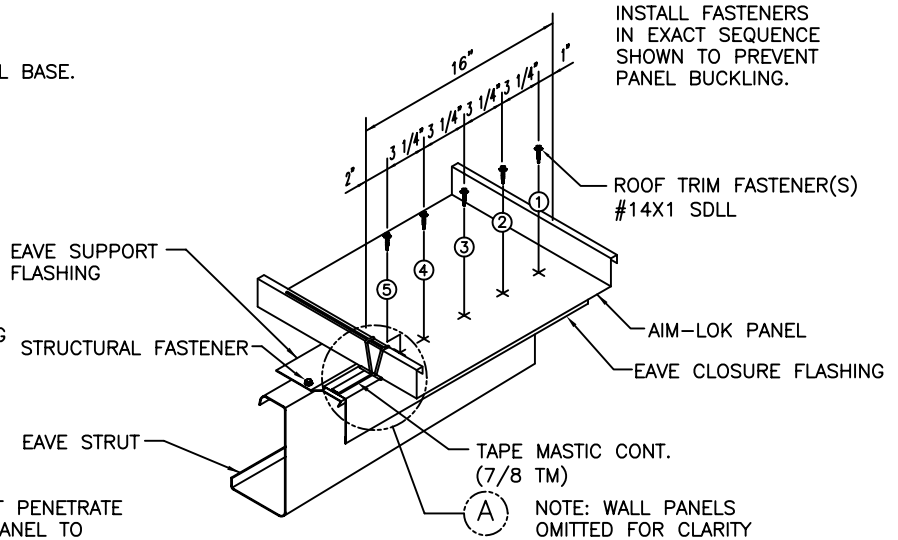


RIDGE CLOSURE DETAIL

POSITION RIDGE CLOSURE ZEE ONTO PANEL ENDS HOLDING IN PLACE WITH C-CLAMPS. ATTACH WITH ROOF FASTENERS. CAULKING AT THE PANEL SIDELAP IS CRITICAL TO INSURE WEATHER TIGHTNESS.

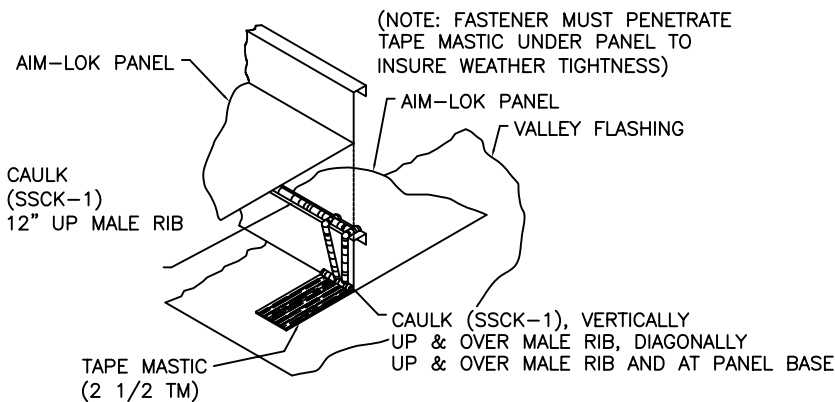


DETAIL A
EAVE CAULKING DETAIL



INSTALL FASTENERS IN EXACT SEQUENCE SHOWN TO PREVENT PANEL BUCKLING.

ROOF PANEL ATTACHMENT AT EAVE



SIDELAP CAULKING DETAIL AT VALLEY

SCALE: NONE

DATE:

DRAWN BY: EC

7/7/04

CHECKED BY:

AIM-LOK
SEALANT DETAILS



DWG NO:

AL.9.C.1