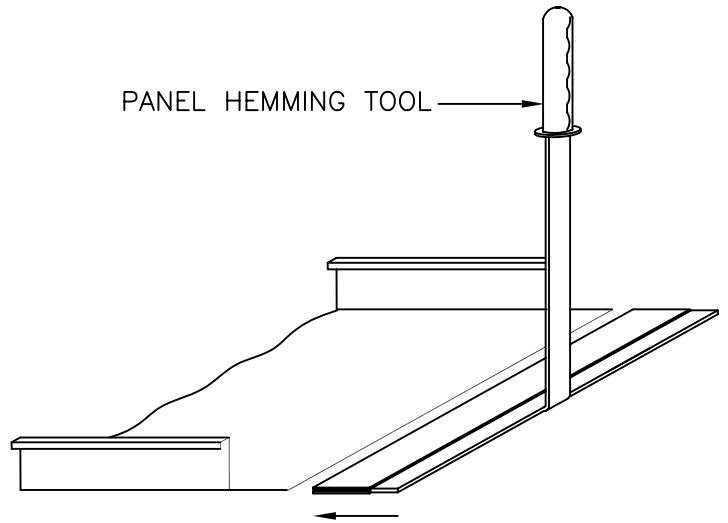
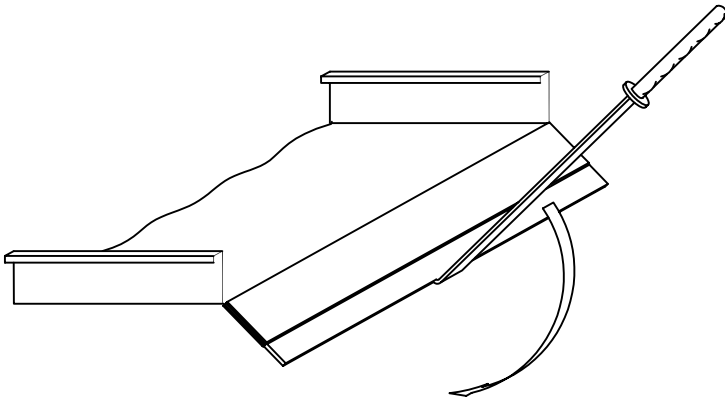


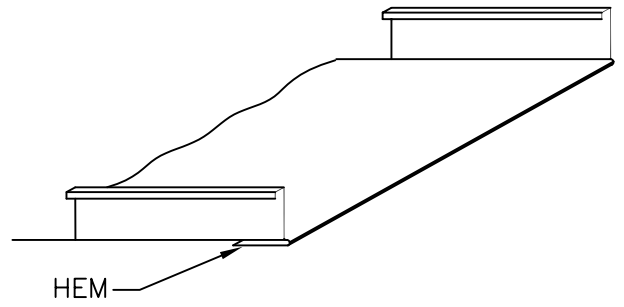
1. FIELD NOTCH VERTICAL RIBS



2. SLIDE HEMMING TOOL OVER PANEL FLAT




3. ROTATE HEMMING TOOL 180°



4. COMPLETED HEM

SCALE: NONE	DATE:
DRAWN BY: EC	7/7/04
CHECKED BY:	

AIM-LOK  
PANEL HEMMING PROCESS



DWG NO: AL.9.C.3