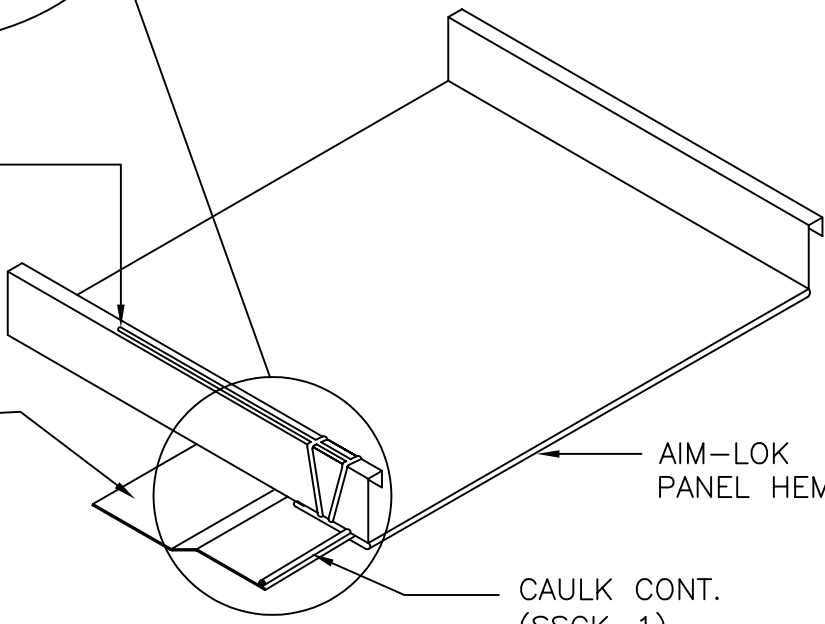


CAULK (SSCK-1), VERTICALLY 6" AND  
DIAGONALLY UP AND OVER MALE RIB OF  
PANEL AND AT PANEL BASE.

CAULK (SSCK-1)  
6" UP MALE LEG OF PANEL

EAVE SUPPORT PLATE



AIM-LOK  
PANEL HEM

CAULK CONT.  
(SSCK-1)

SCALE: NONE

DATE:

DRAWN BY: EC

7/7/04

CHECKED BY:

AIM-LOK  
SEALANT DETAIL AT  
HEMMED VALLEY



DWG NO:

AL.9.C.5