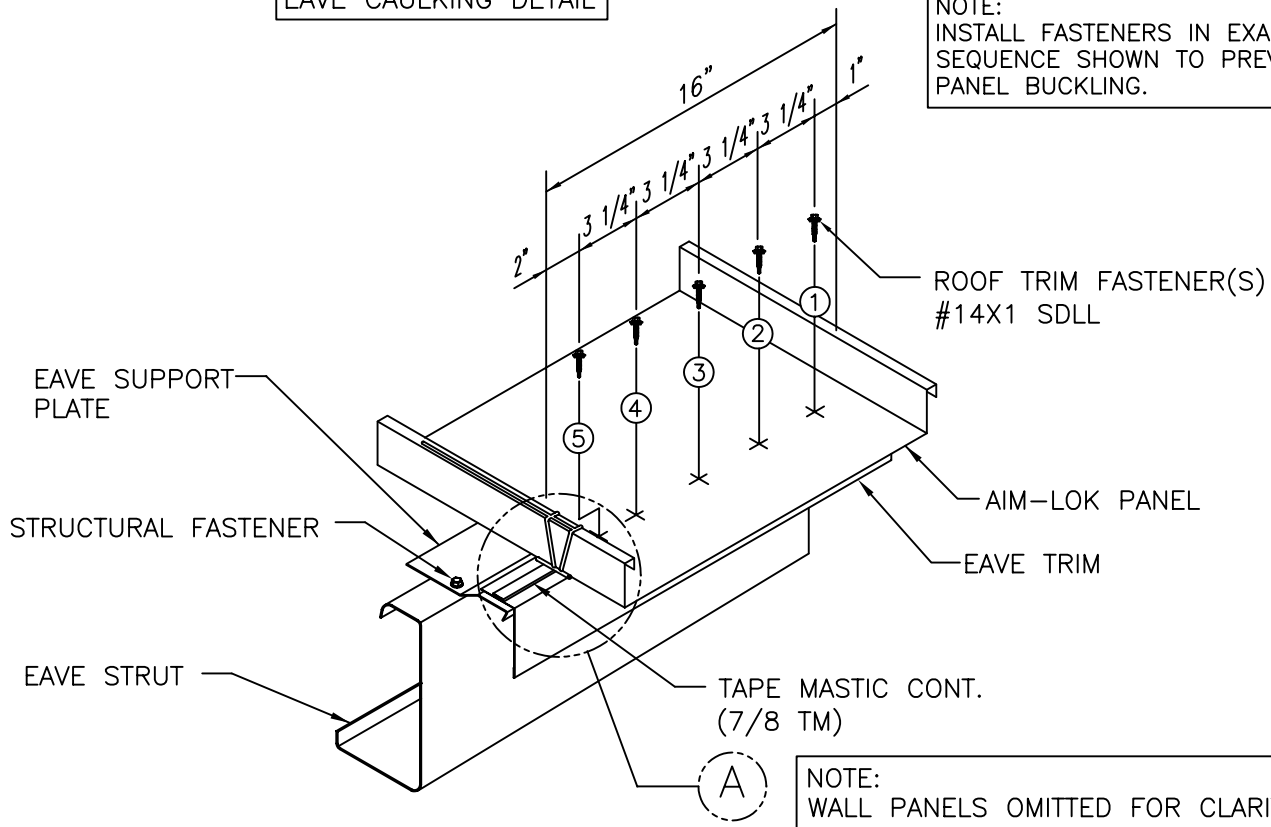


DETAIL A
EAVE CAULKING DETAIL

NOTE:
INSTALL FASTENERS IN EXACT SEQUENCE SHOWN TO PREVENT PANEL BUCKLING.



NOTE:
WALL PANELS OMITTED FOR CLARITY

SCALE: NONE

DATE:

DRAWN BY: EC

7/7/04

CHECKED BY:

AIM-LOK
SEALANT DETAIL AT EAVE



DWG NO:

AL.9.C.6