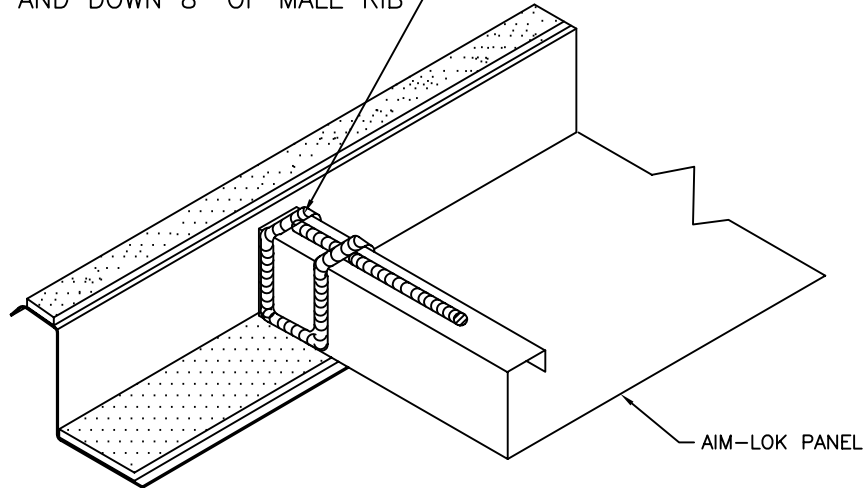
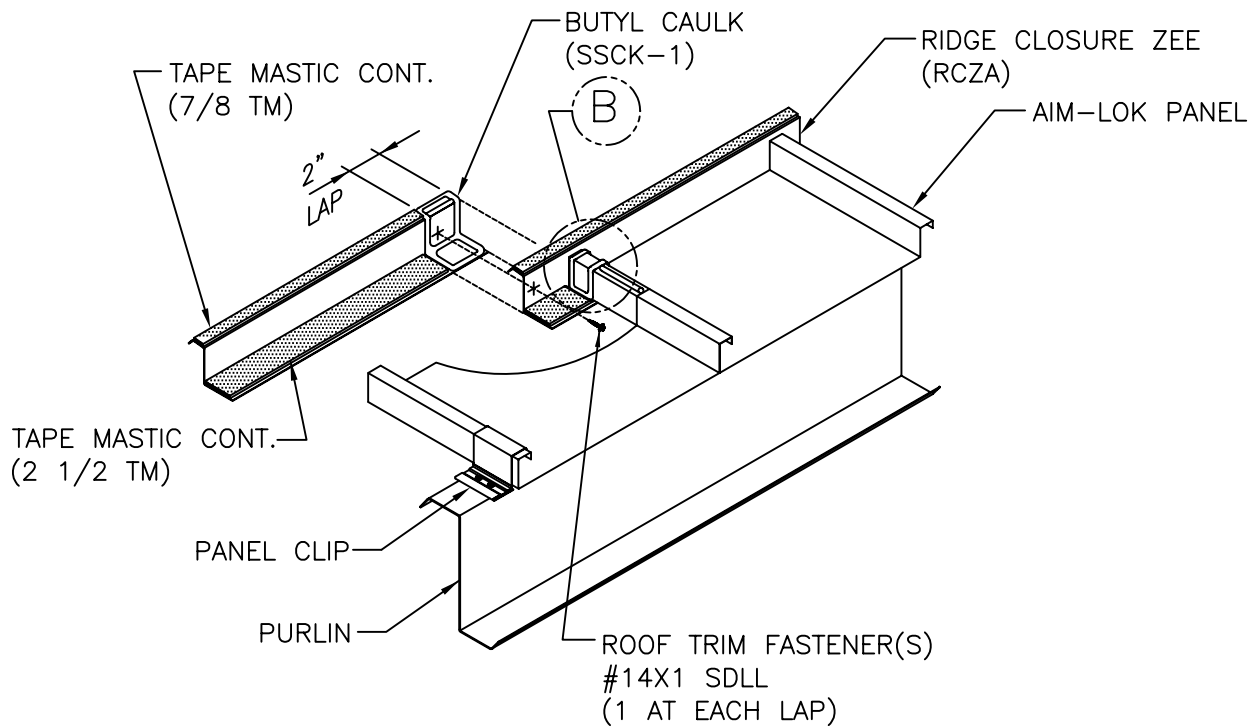


BUTYL CAULK (SSCK) UP, OVER,  
AND DOWN 8" OF MALE RIB



DETAIL B  
RIDGE CAULKING DETAIL



**NOTE:**  
INSTALL THE RIDGE CLOSURE ZEE ON THE PANEL ENDS. HOLD THE RIDGE CLOSURE ZEE IN PLACE WITH C-CLAMPS, ATTACH WITH A FASTENER AS SHOWN AND APPLY CAULKING ALONG THE PANEL SIDELAP.

SCALE: NONE	DATE:
DRAWN BY: EC	7/7/04
CHECKED BY:	

AIM-LOK  
SEALANT DETAIL  
AT RIDGE CLOSURE ZEE



DWG NO: AL.9.C.7