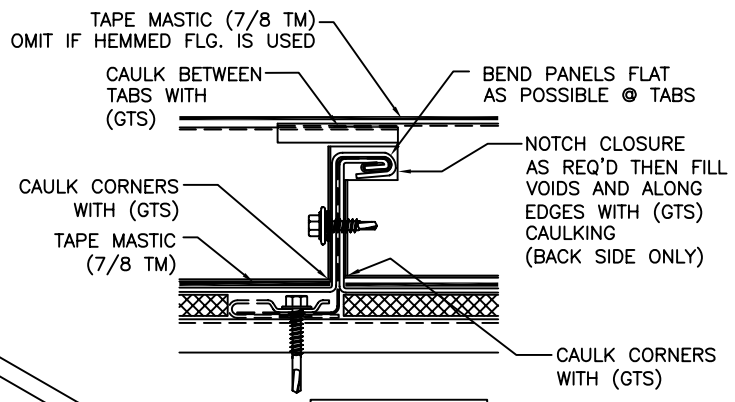


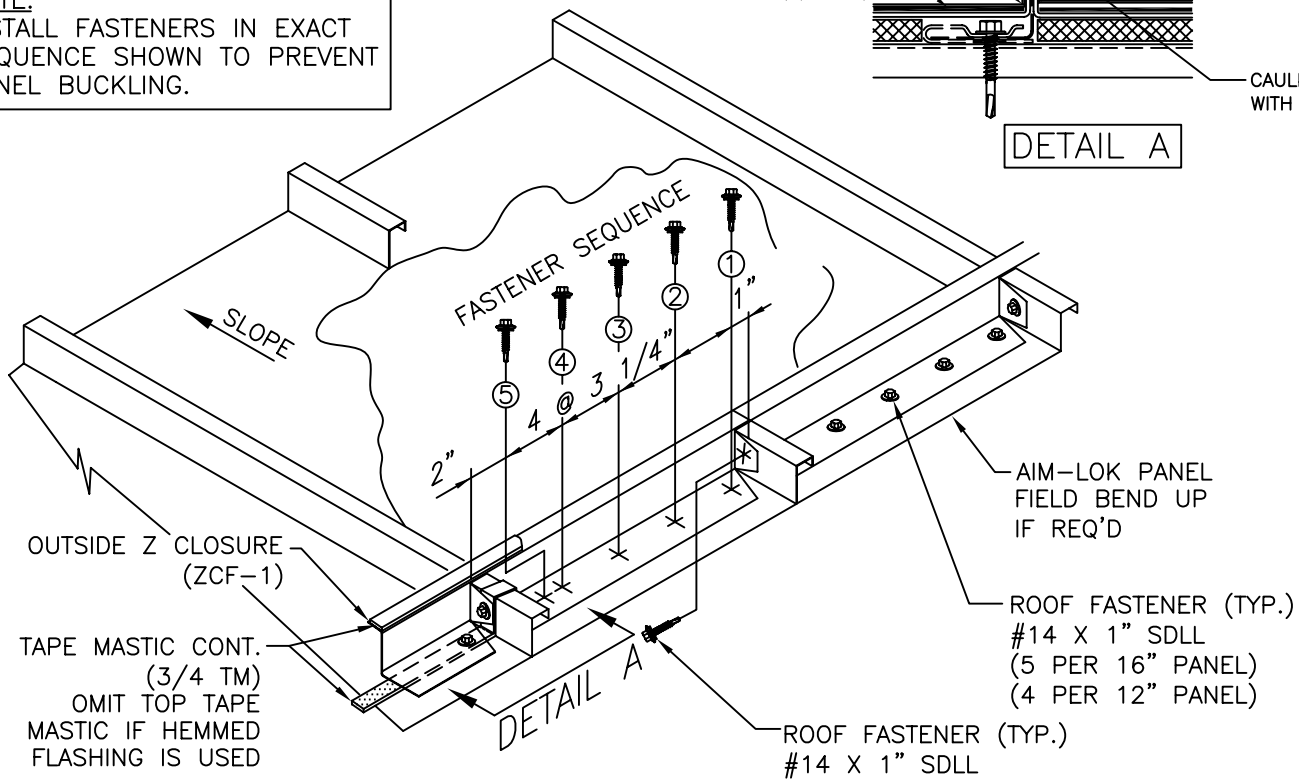
PANEL/CLOSURE DETAIL AT HIP

NOTE:
FIELD BEND SIDE TABS TO THE CORRECT ANGLE AT HIP. FIELD WORK AND CAULK AS SHOWN ON DETAIL "A"



DETAIL A

NOTE:
INSTALL FASTENERS IN EXACT SEQUENCE SHOWN TO PREVENT PANEL BUCKLING.



PANEL/CLOSURE DETAIL AT RIDGE OR HIGHSIDE

SCALE: NONE	DATE:
DRAWN BY: EC	7/7/04
CHECKED BY:	

AIM-LOK ROOF PANEL WITH OUTSIDE ZEE CLOSURE

DWG NO: AL.9.D.1