
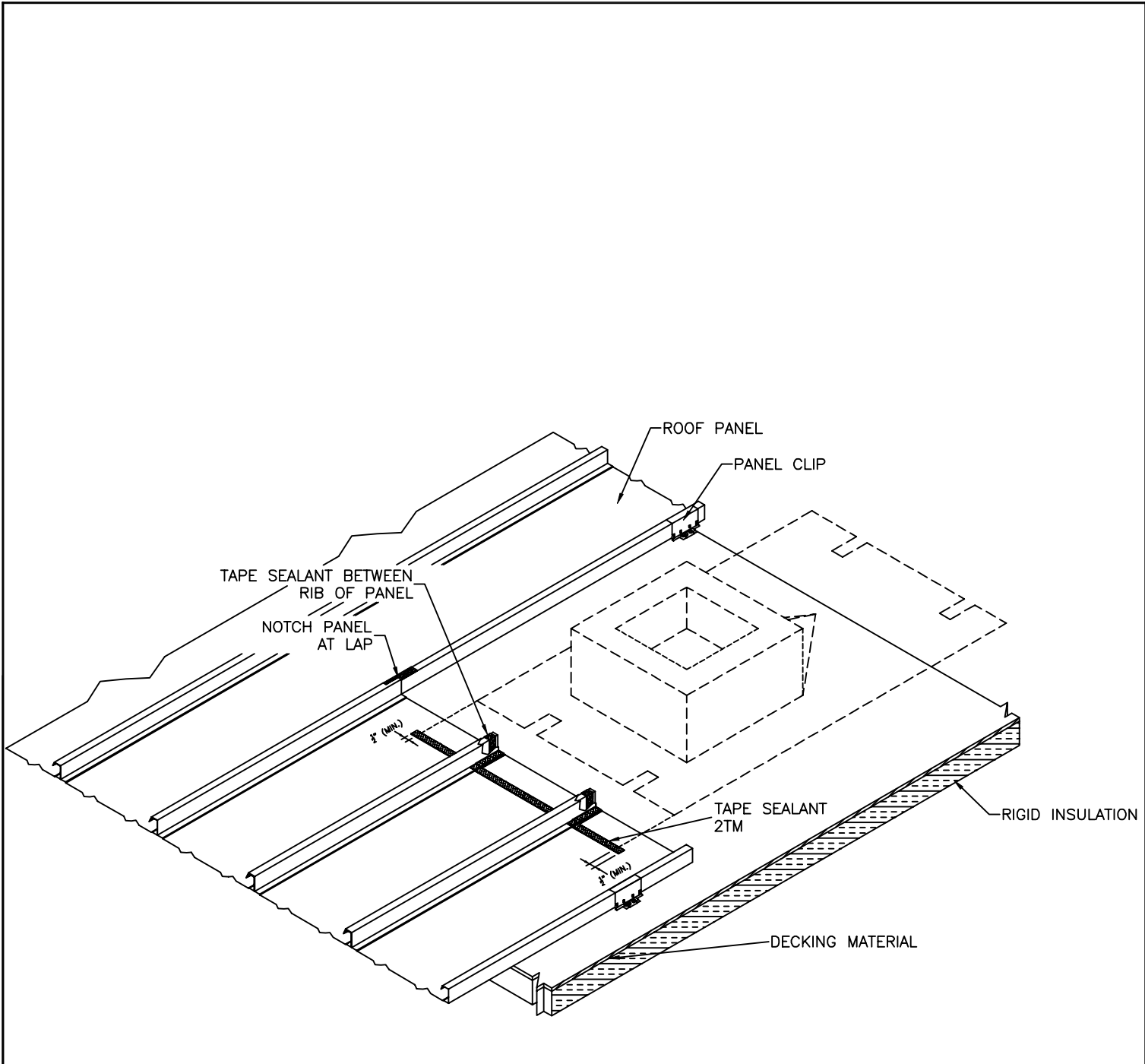


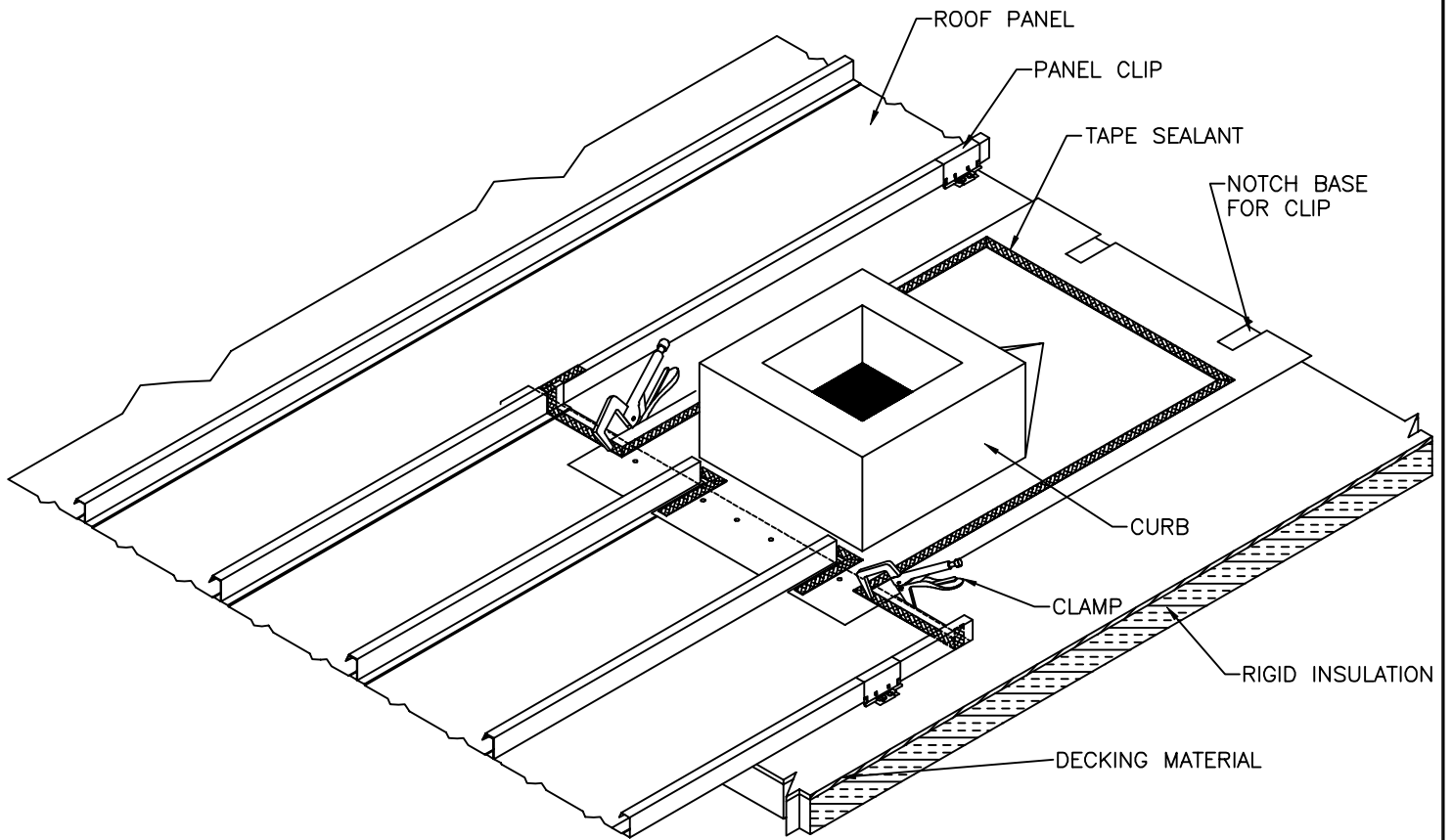
STEP #1

SCALE: NONE	DATE:	ROOF CURB INSTALLATION	
DRAWN BY: EC			
CHECKED BY:			
			DWG NO:




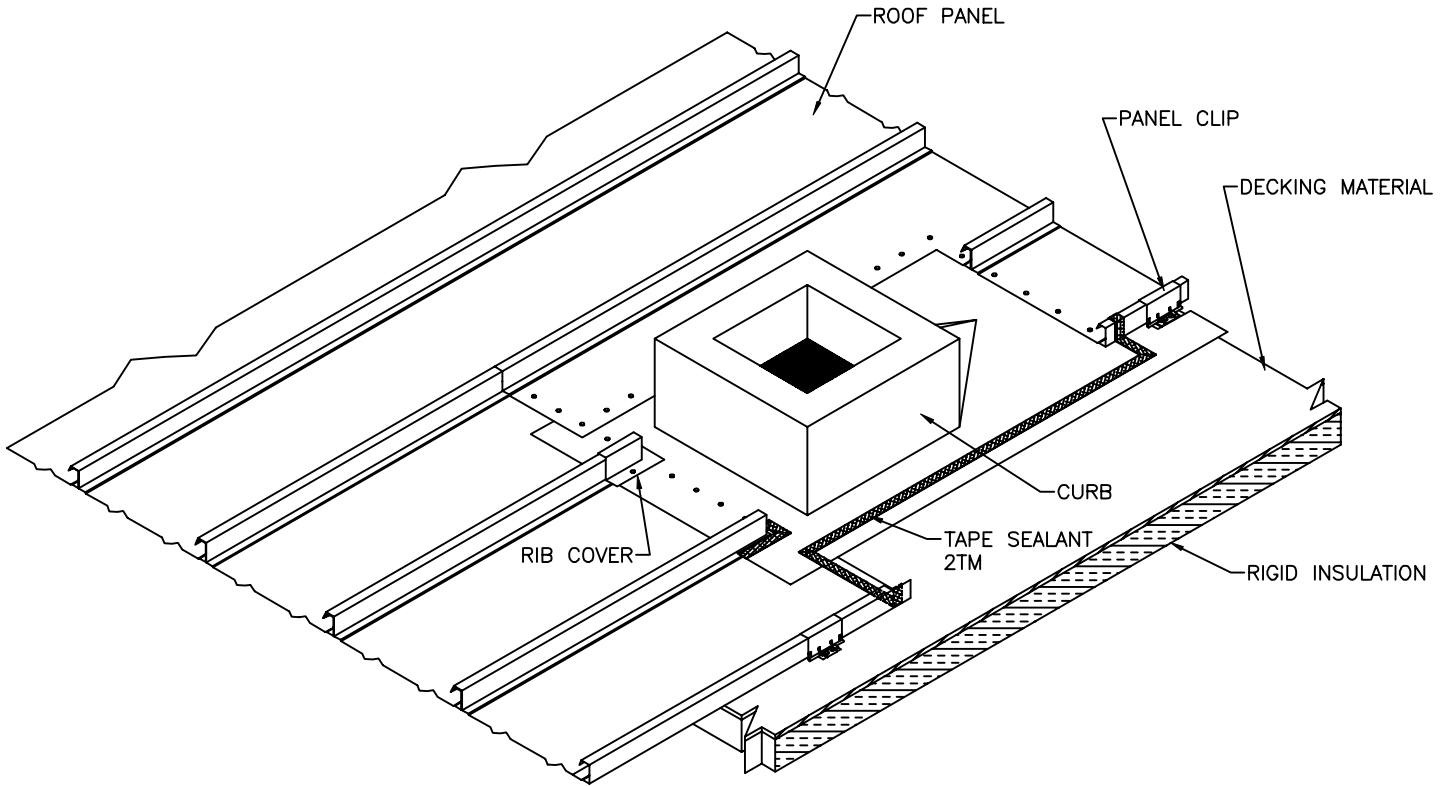
STEP #2

SCALE: NONE	DATE:	ROOF CURB INSTALLATION	
DRAWN BY: EC			
CHECKED BY:			
			DWG NO:




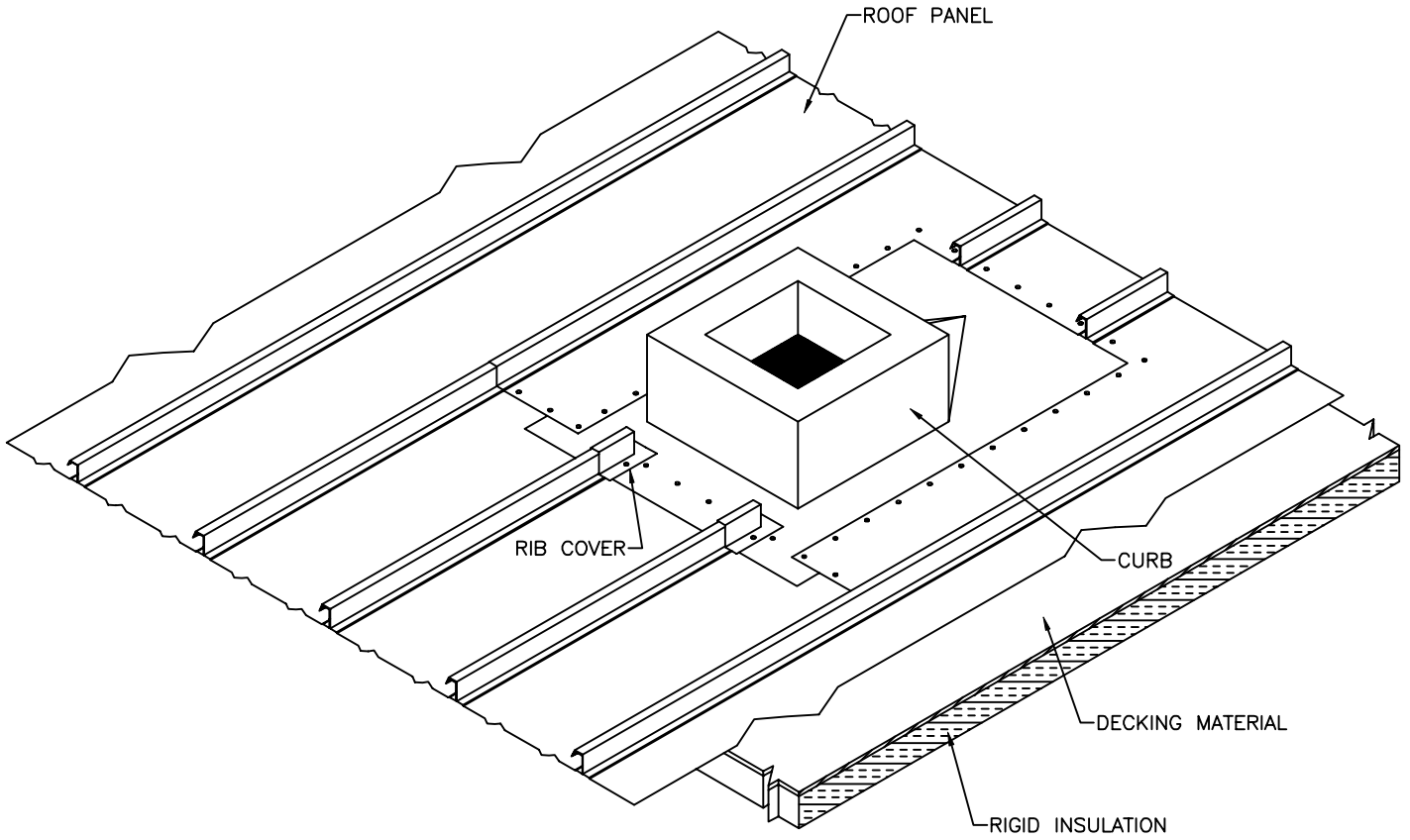
STEP#3

SCALE: NONE	DATE:	ROOF CURB INSTALLATION	
DRAWN BY: EC			
CHECKED BY:			
		DWG NO:	




STEP#4

SCALE: NONE	DATE:	ROOF CURB INSTALLATION	
DRAWN BY: EC			
CHECKED BY:			
			DWG NO:



STEP #5

SCALE: NONE	DATE:	ROOF CURB INSTALLATION	
DRAWN BY: EC			
CHECKED BY:			DWG NO: