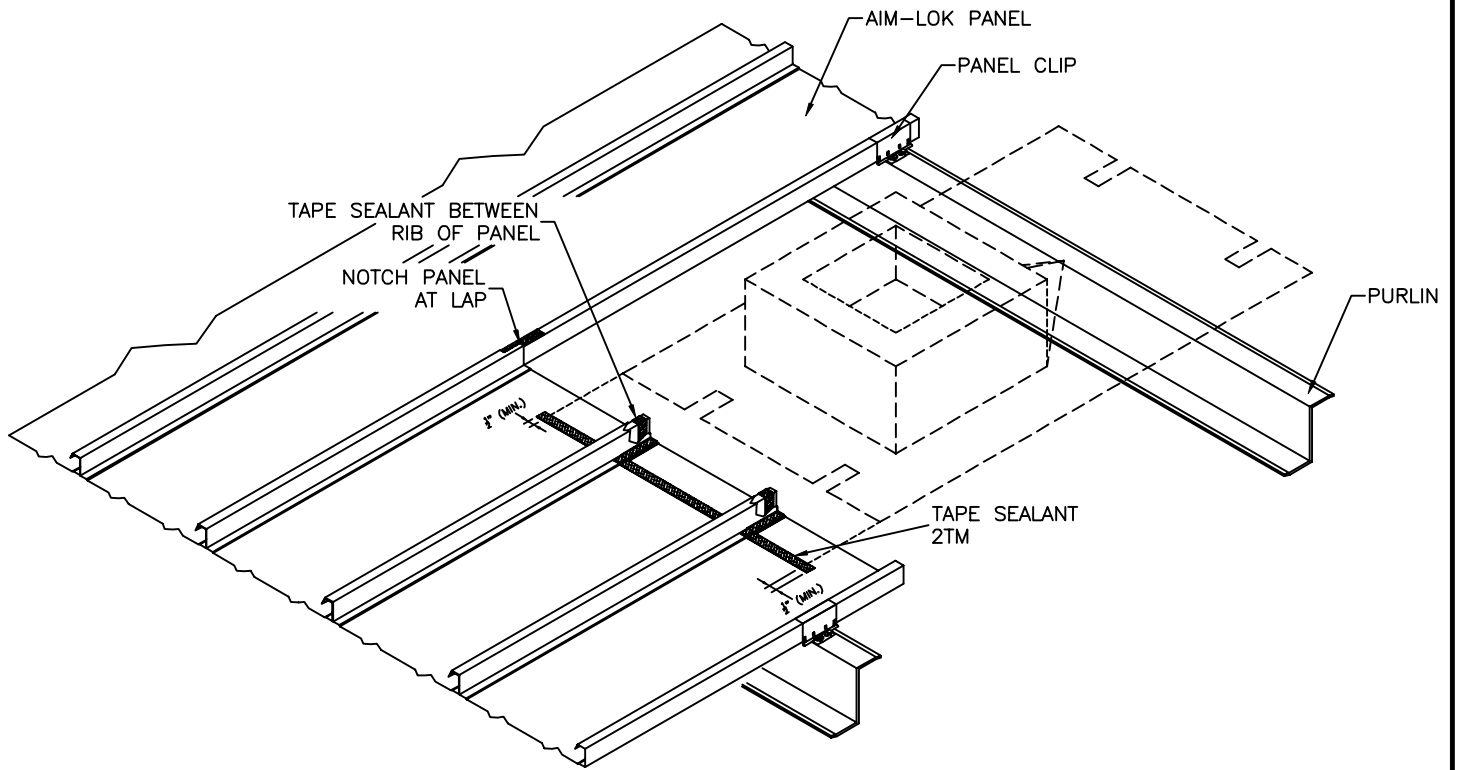


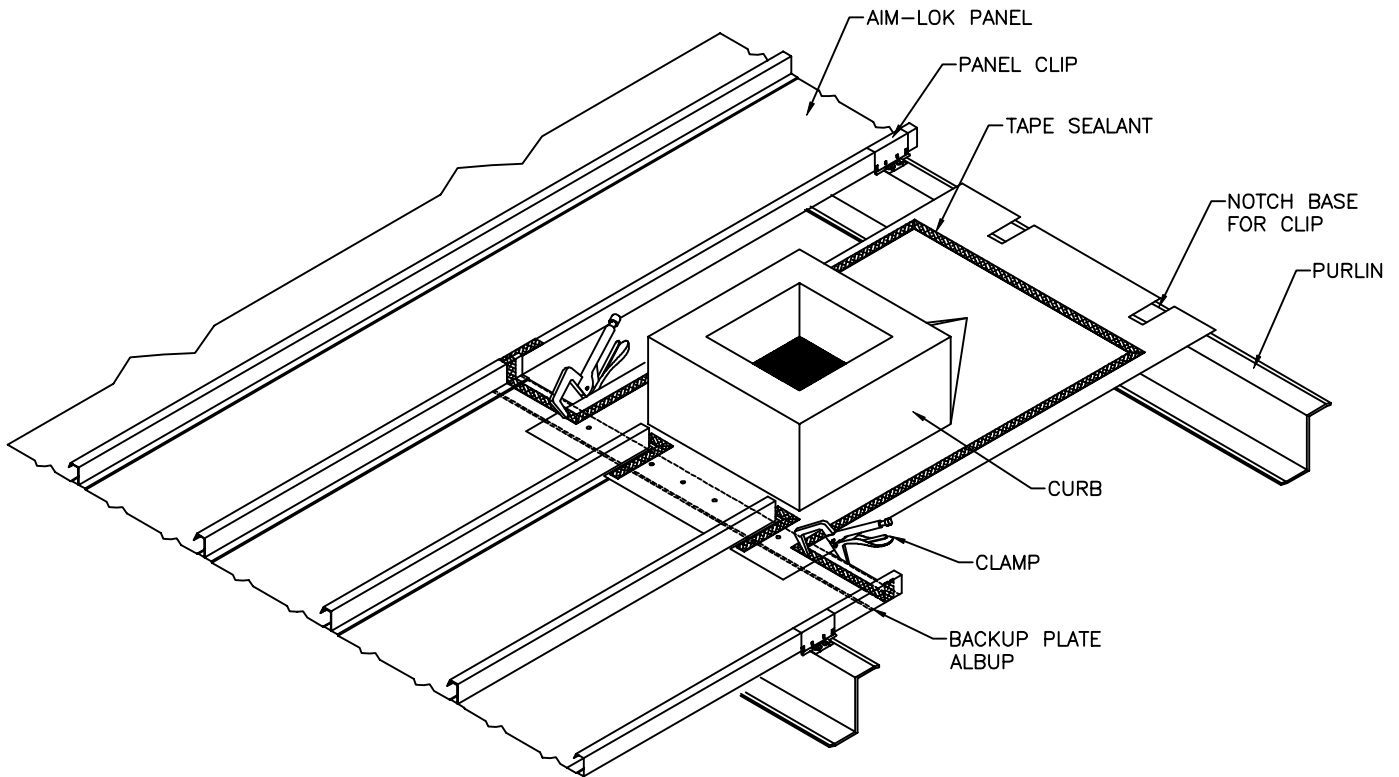
STEP #1

SCALE: NONE	DATE:	ROOF CURB INSTALLATION OVER PURLINS	
DRAWN BY: EC			
CHECKED BY:			




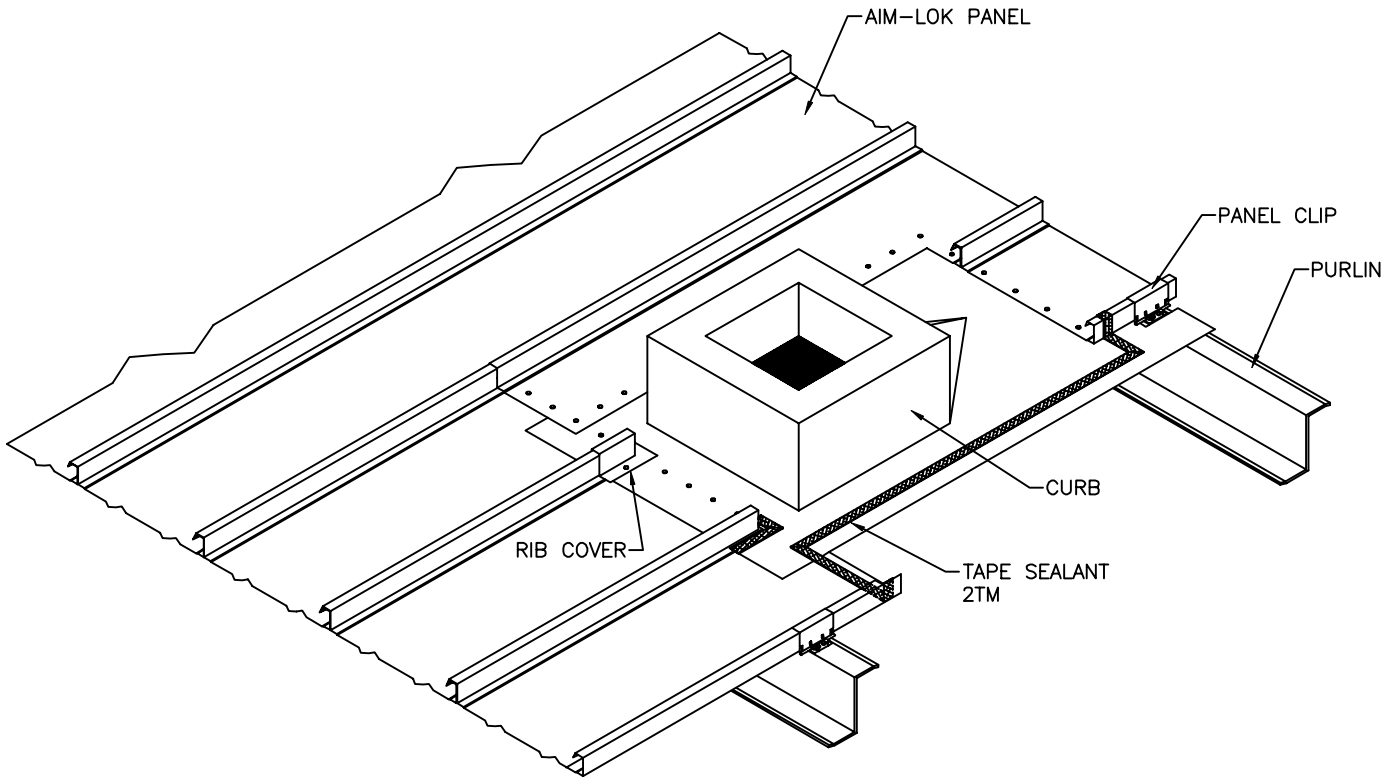
STEP #2

SCALE: NONE	DATE:	ROOF CURB INSTALLATION OVER PURLINS	
DRAWN BY: EC			
CHECKED BY:			
		DWG NO:	



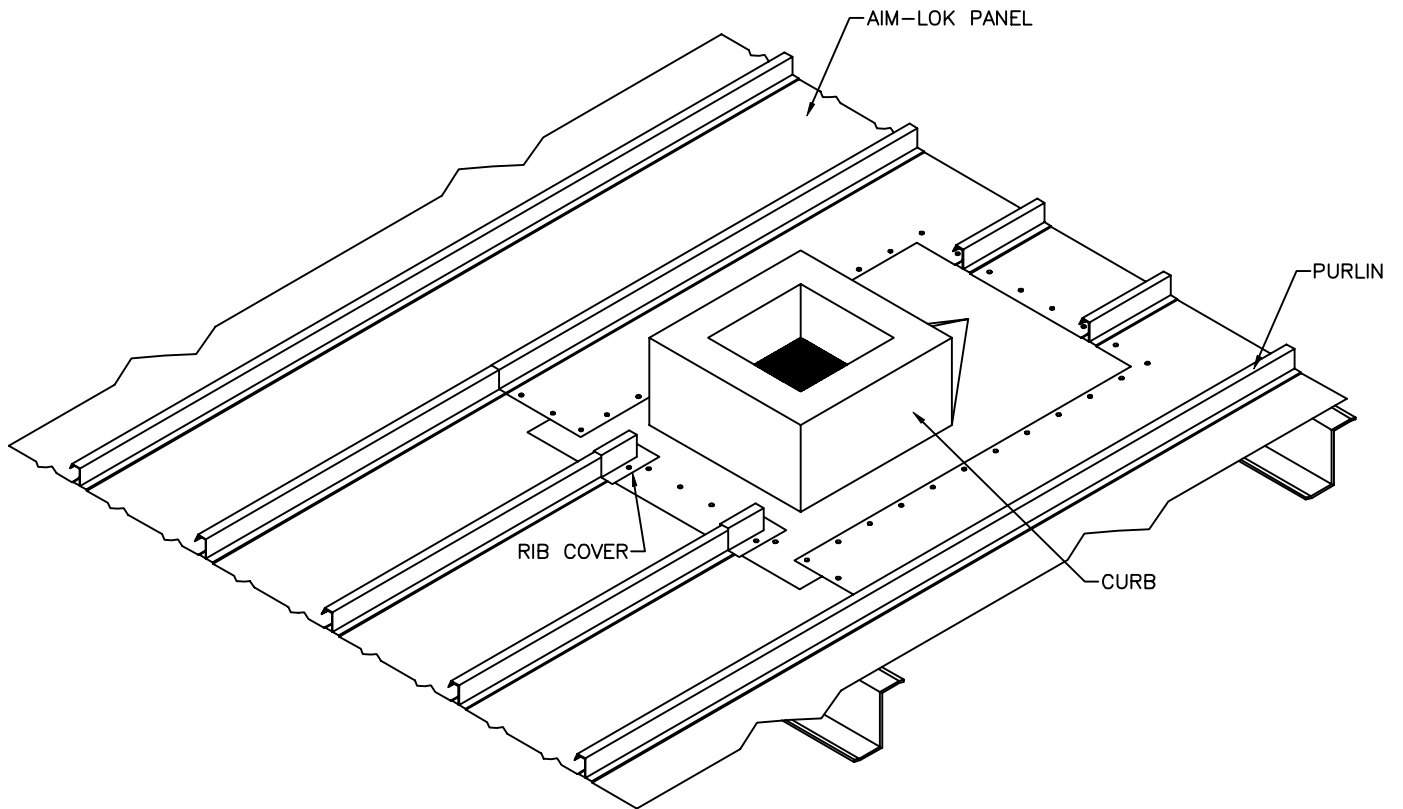
STEP #3

SCALE: NONE	DATE:	ROOF CURB INSTALLATION OVER PURLINS	
DRAWN BY: EC			
CHECKED BY:			
		DWG NO:	



STEP #4

SCALE: NONE	DATE:	ROOF CURB INSTALLATION OVER PURLINS	
DRAWN BY: EC			
CHECKED BY:			
		DWG NO:	



STEP #5

SCALE: NONE	DATE:	ROOF CURB INSTALLATION OVER PURLINS	
DRAWN BY: EC			
CHECKED BY:			
			DWG NO: