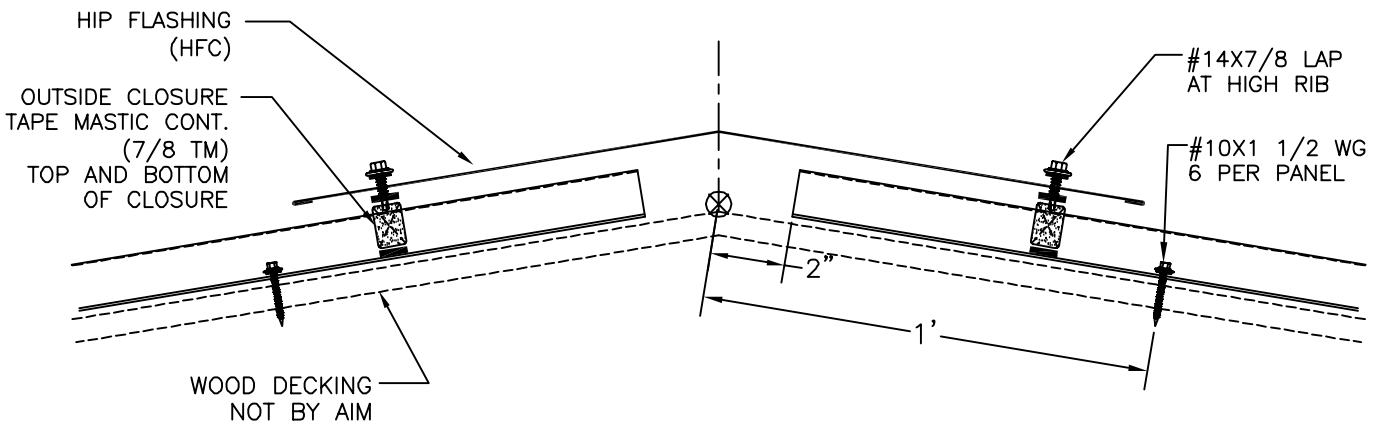
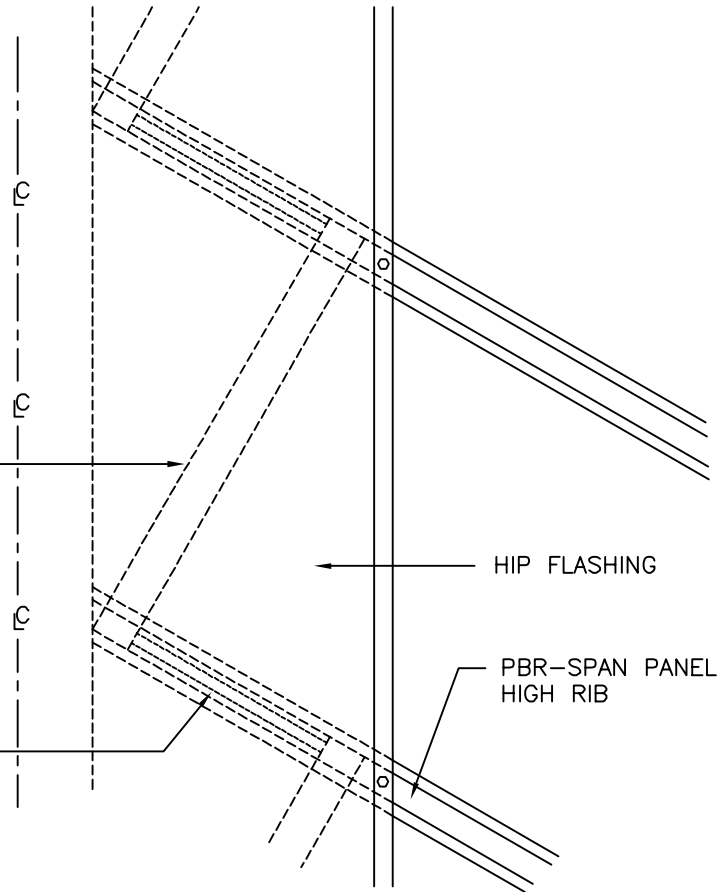


FIELD CUT AND ORIENT CLOSURES  
AS SHOWN WITH TAPE MASTIC (7/8 TM)  
ALONG TOP AND BOTTOM OF CLOSURES

APPLY TAPE MASTIC (1/2 TM) FROM ONE  
CLOSURE TO THE NEXT ALONG TOP OF HIGH RIB

NOTE:  
FIELD CUT PANELS AS REQUIRED.



SCALE: NONE	DATE:
DRAWN BY: EC	7/7/04
CHECKED BY:	

PBR-SPAN  
STANDARD HIP  
ON WOOD



DWG NO: CL.7.A.2