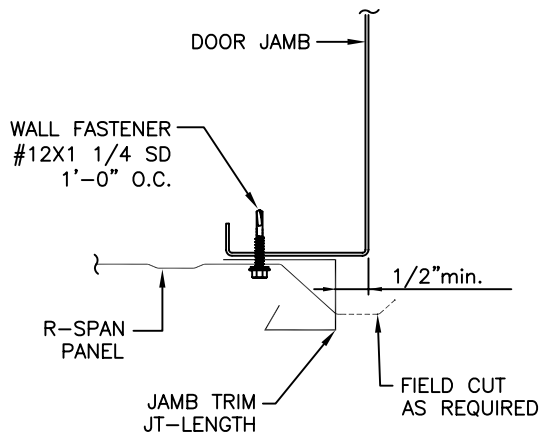
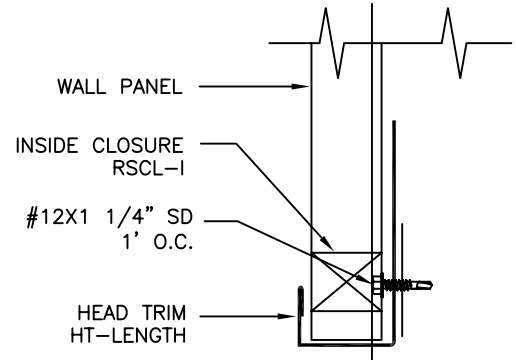


SECTION THROUGH HEADER

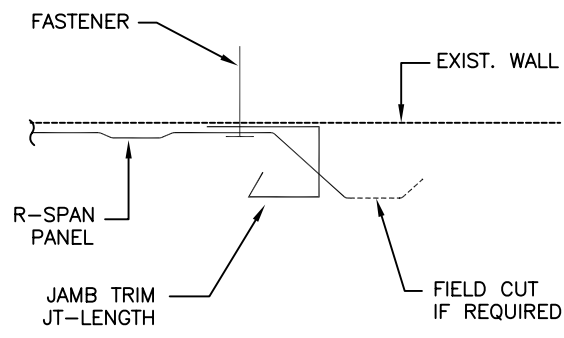
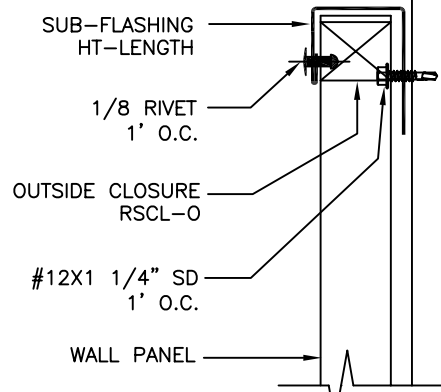


NOTE:
FIELD CUT JAMB FLASHING TO LENGTHS
BEFORE INSTALLATION.

SECTION THROUGH JAMB



SECTION THROUGH OPENING
IN THE WALL (LOUVER ETC.)




NOTE:
FIELD CUT JAMB FLASHING TO LENGTHS
BEFORE INSTALLATION.

TRIM DETAIL AT
WALL PANEL EDGE TERMINATION

SCALE: NONE	DATE:
DRAWN BY: EC	7/7/04
CHECKED BY:	

PBR-SPAN
HEAD TRIM DETAILS FOR
FRAMED OPENINGS



DWG NO: CL.9.A.5