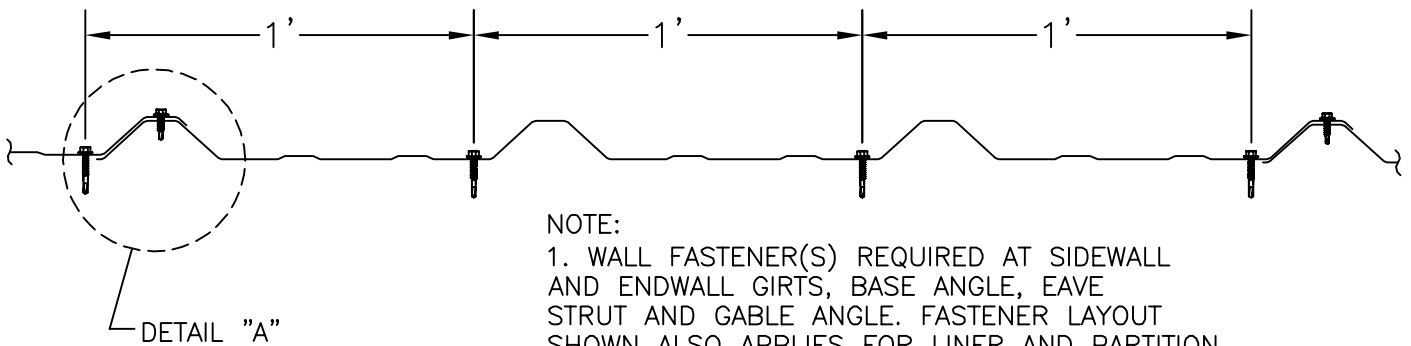


DETAIL "A"



NOTE:  
 1. WALL FASTENER(S) REQUIRED AT SIDEWALL AND ENDWALL GIRTS, BASE ANGLE, EAVE STRUT AND GABLE ANGLE. FASTENER LAYOUT SHOWN ALSO APPLIES FOR LINER AND PARTITION PANELS.  
 2. PANEL STITCH FASTENER(S) AS SHOWN REQ'D. ONLY AT PANEL SIDELAPS OR AT FLASHING LAPS AND FLASHING TO PANEL CONNECTIONS.

SCALE: NONE	DATE:	R-SPAN WALL FASTENER LAYOUT	
DRAWN BY: EC	7/7/04		
CHECKED BY:			
		DWG NO:	CL.9.A.7