

CONT. ZEE BASE RUNNER  
(4Z16)  
(SEE PLAN FOR SIZE  
AND LOCATION)

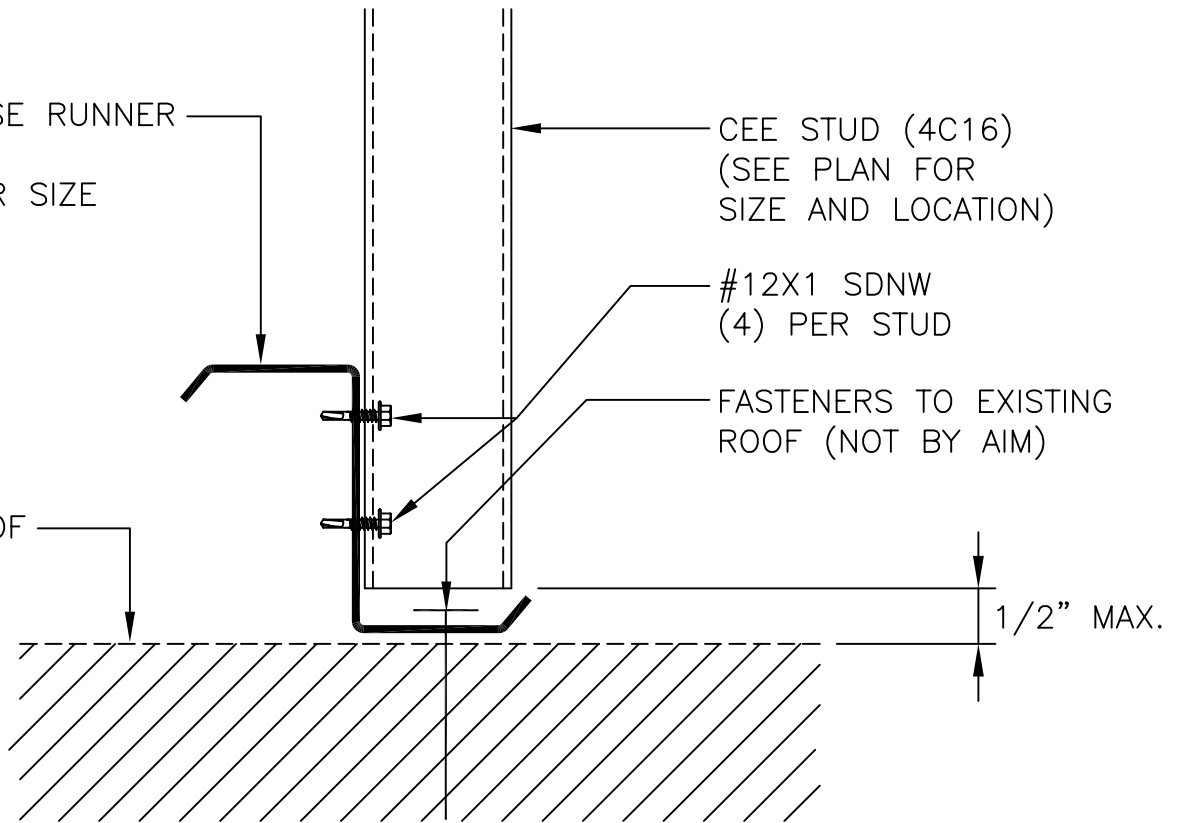
CEE STUD (4C16)  
(SEE PLAN FOR  
SIZE AND LOCATION)

#12X1 SDNW  
(4) PER STUD

FASTENERS TO EXISTING  
ROOF (NOT BY AIM)

EXISTING ROOF

1/2" MAX.



SCALE: FULL

DATE:

DRAWN BY: EC

CHECKED BY:

CEE STUD  
TO BASE RUNNER



DWG NO:

FR.1.A.7