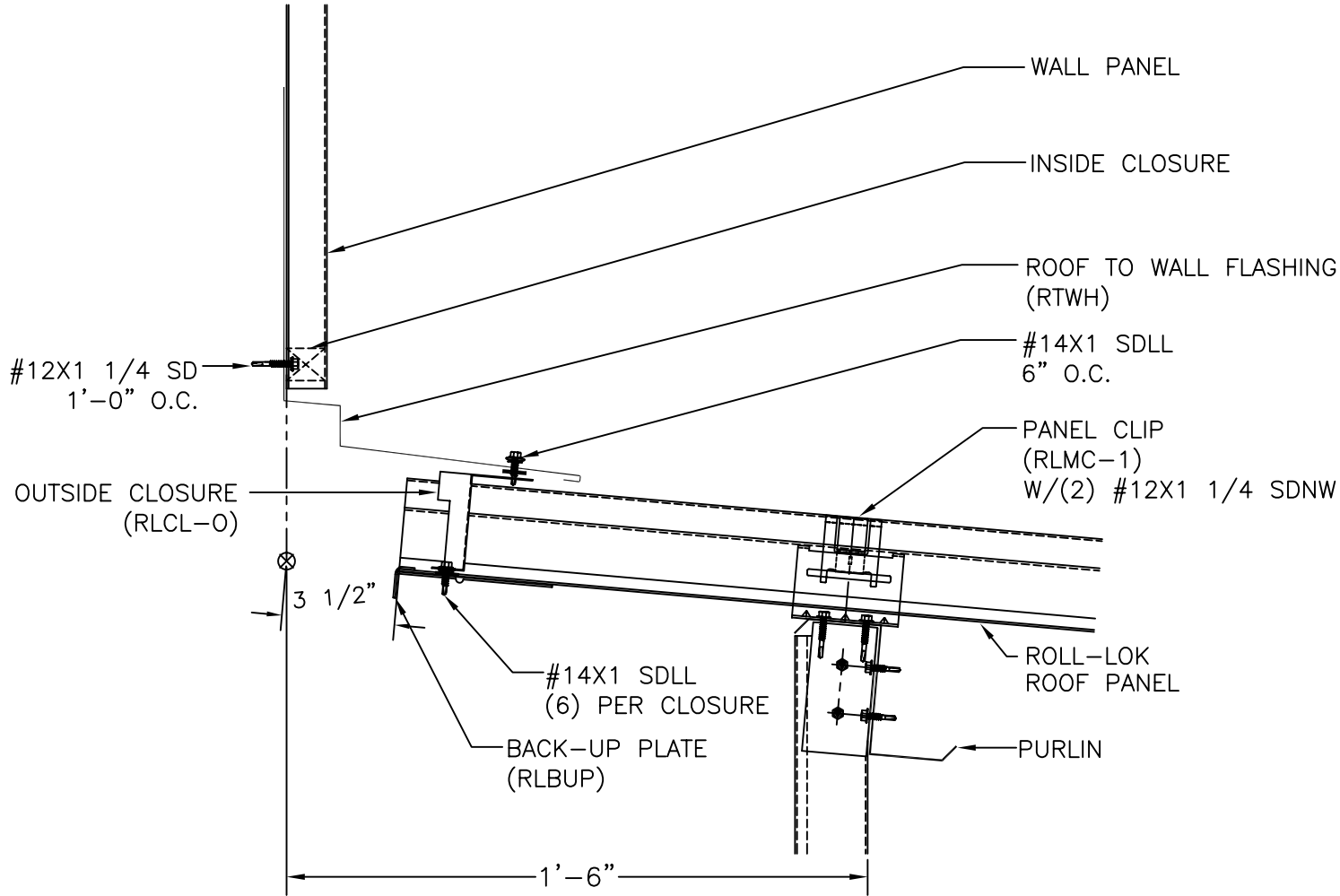



SEE SEALANT
DETAIL RL.9.C.3



SCALE: NONE	DATE:
DRAWN BY: EC	7/7/04
CHECKED BY:	

ROLL-LOK HIGH SIDE
ROOF TO PANEL WALL
ON FRAMING



DWG NO: RL.4.A.1