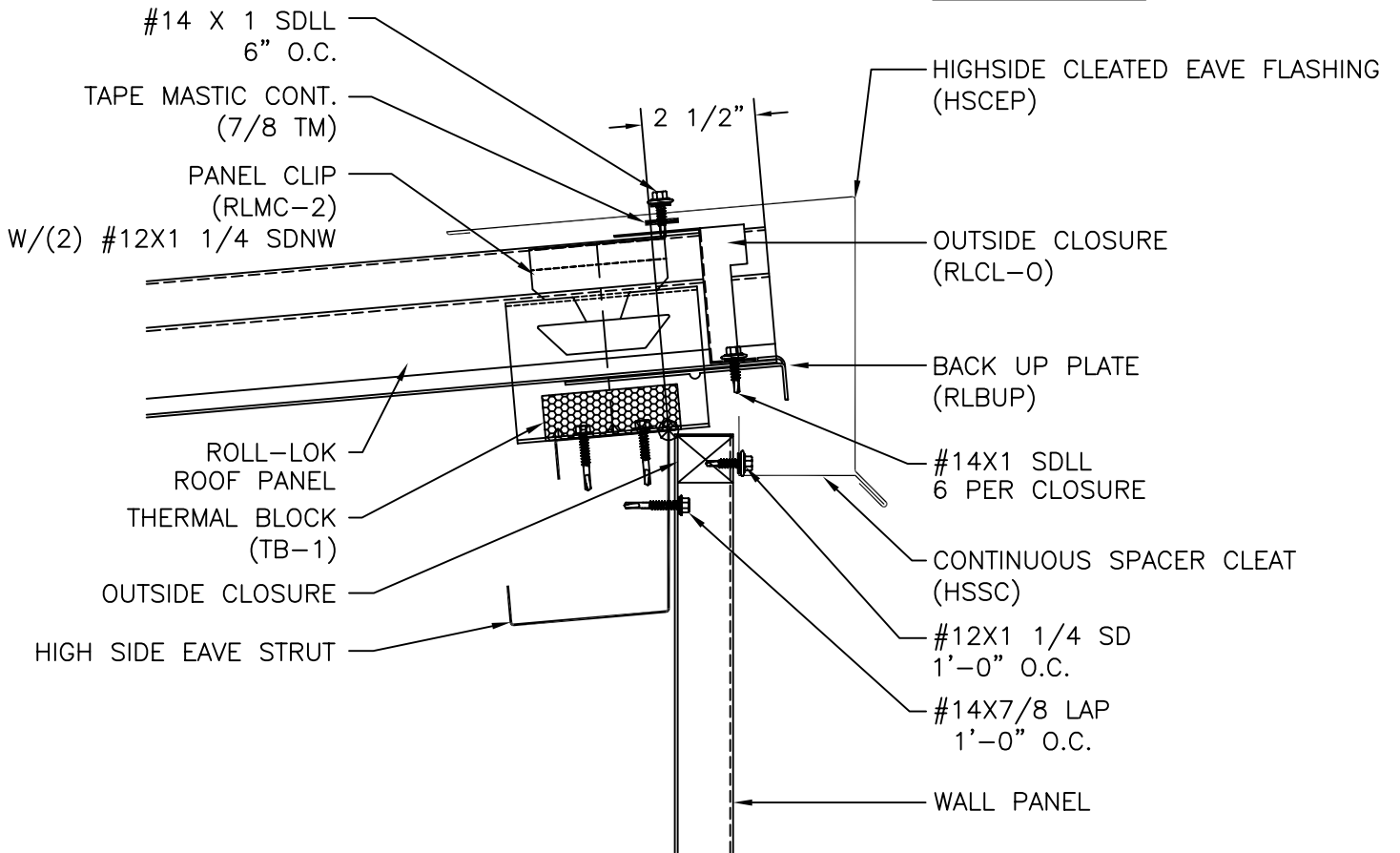


SEE SEALANT  
DETAIL RL.9.C.3



SCALE: NONE	DATE:
DRAWN BY: EC	7/7/04
CHECKED BY:	

ROLL-LOK  
HIGH SIDE CLEATED EAVE  
W/THERMAL BLOCK  
ON FRAMING



DWG NO:	RL.5.A.2
---------	----------