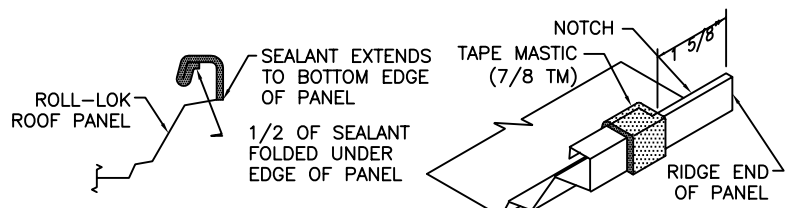
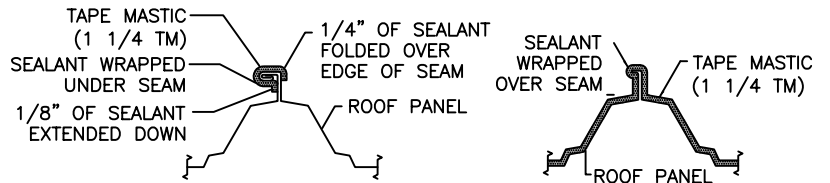


**ROLL-LOK OUTSIDE CLOSURE DETAIL  
RIDGE, HIP & HIGH SIDE CONDITIONS**

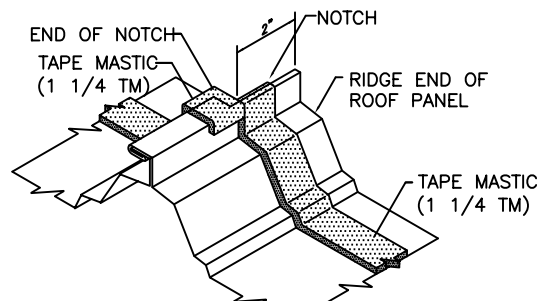
SLIDE BACK-UP PLATE UNDER ROOF PANEL ALLOWING THE TABS TO HOOK OVER THE END. ALIGN THE HOLES OF THE BACK-UP PLATE WITH THOSE OF THE ROOF PANEL. CUT 2 INCH NOTCH AT END OF PANEL SEAM AND RUN 7/8" TAPE MASTIC 1 5/8 INCHES FROM THE PANELS END. THEN INSTALL AND SECURE OUTSIDE CLOSURE WITH FASTENERS AT EACH HOLE.



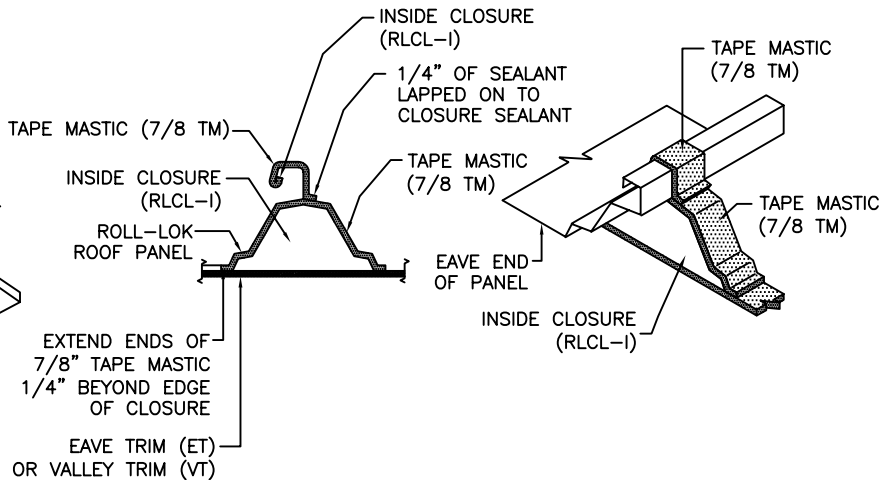
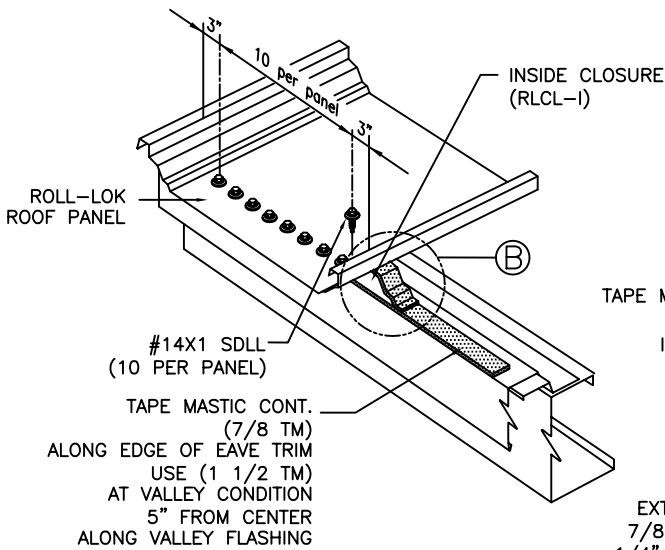
**DETAIL A-1  
SEALANT FOR SIDELAP AT RIDGE**



**DETAIL A-2  
SEALANT FOR OUTSIDE CLOSURE**




**DETAIL A-3  
SEALANT FOR OUTSIDE CLOSURE**



SCALE: NONE	DATE:
DRAWN BY: EC	7/7/04
CHECKED BY:	

ROLL-LOK  
STANDARD SEALANT DETAILS



DWG NO: RL.9.C.1