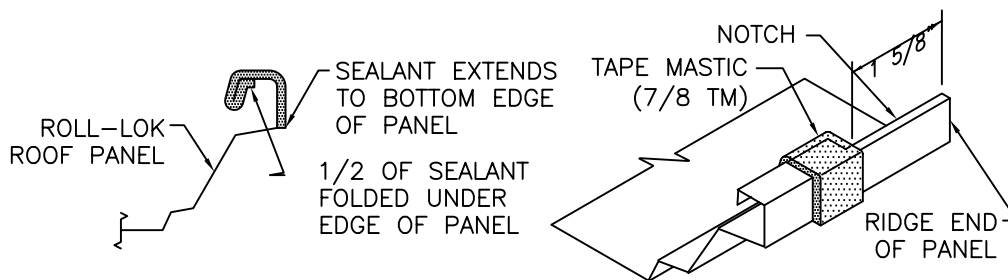
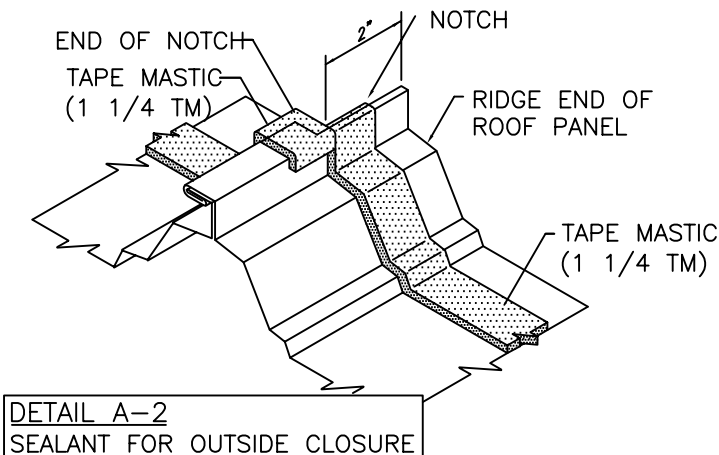
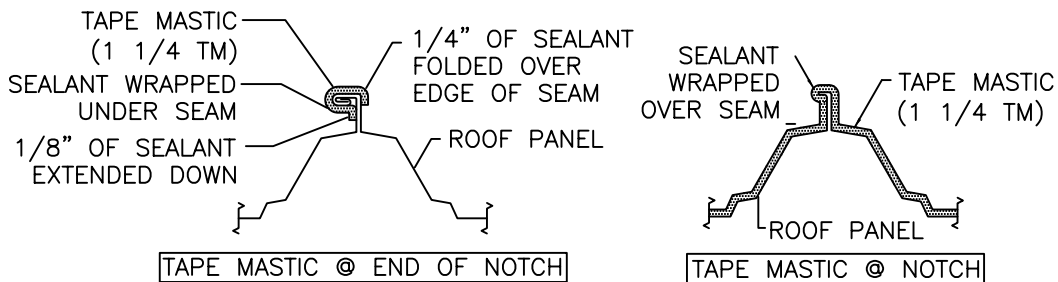


SLIDE BACK-UP PLATE UNDER ROOF PANEL ALLOWING THE TABS TO HOOK OVER THE END. ALIGN THE HOLES OF THE BACK-UP PLATE WITH THOSE OF THE ROOF PANEL. CUT 2 INCH NOTCH AT END OF PANEL SEAM AND RUN 7/8" TAPE MASTIC 1 5/8 INCHES FROM THE PANELS END. THEN INSTALL AND SECURE OUTSIDE CLOSURE WITH FASTENERS AT EACH HOLE.



DETAIL A-1
SEALANT FOR SIDELAP AT RIDGE



SCALE: NONE	DATE:
DRAWN BY: EC	7/7/04
CHECKED BY:	

ROLL-LOK
STANDARD SEALANT DETAILS FOR
HIGH SIDE ROOF TO WALL,
HIGH SIDE EAVE, RIDGE
AND HIP CONDITIONS

DWG NO: RL.9.C.3