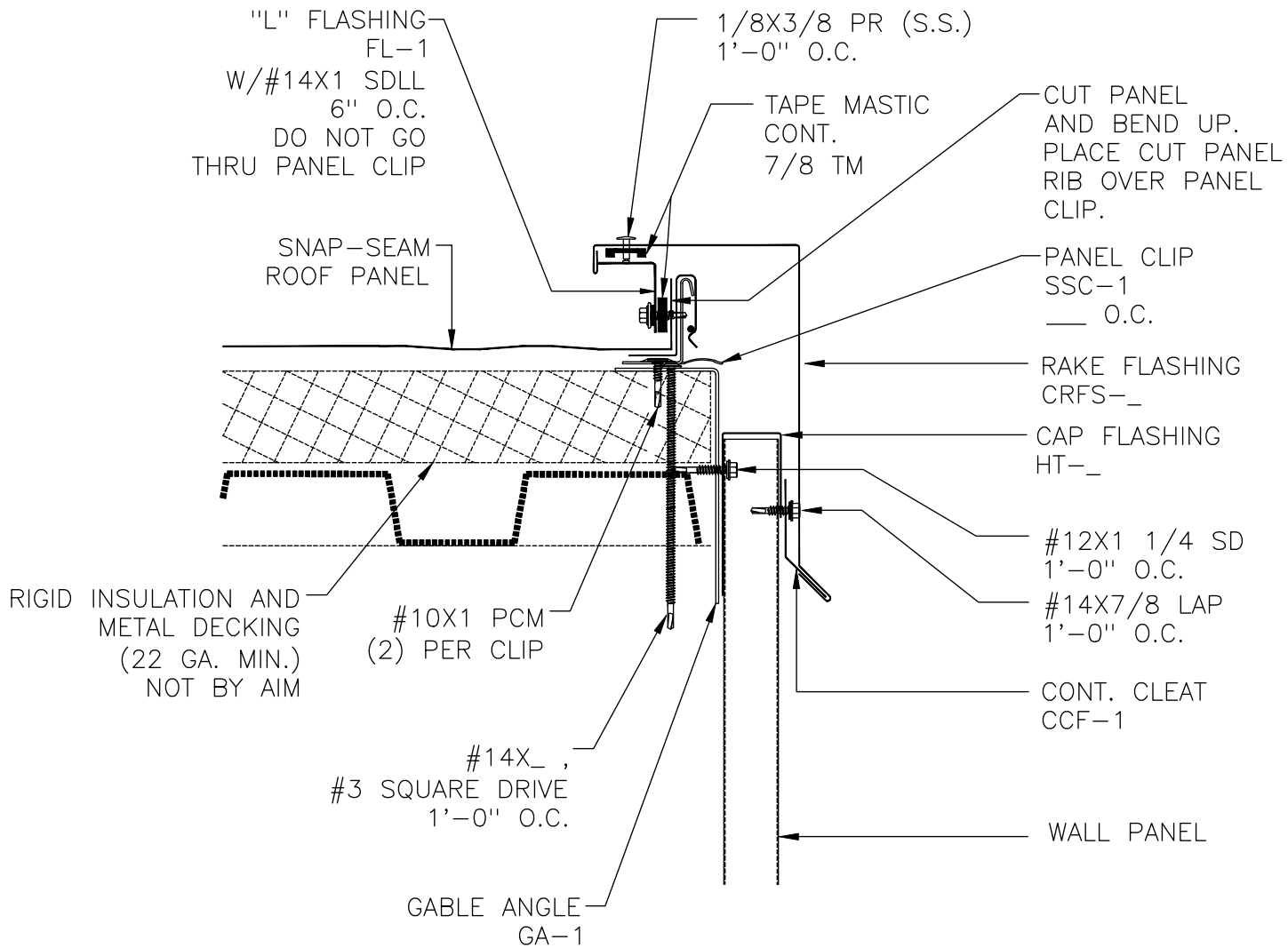
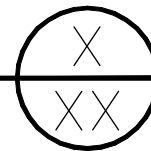


12
SLOPE 3
MIN.

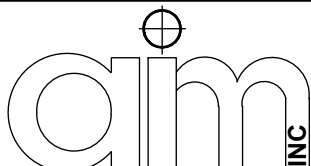


CLEATED RAKE ON MDRB (ENDING)
SNAP-SEAM ROOF PANEL WITH WALL PANEL (FLOATING CONDITION)



SCALE: NONE	DATE:
DRAWN BY: KP	02/26/09
CHECKED BY:	
REVISED BY:	

SNAP-SEAM CLEATED
RAKE (ENDING)
ON RIGID INSULATION
AND METAL DECK



DWG NO: SS.2.B.6