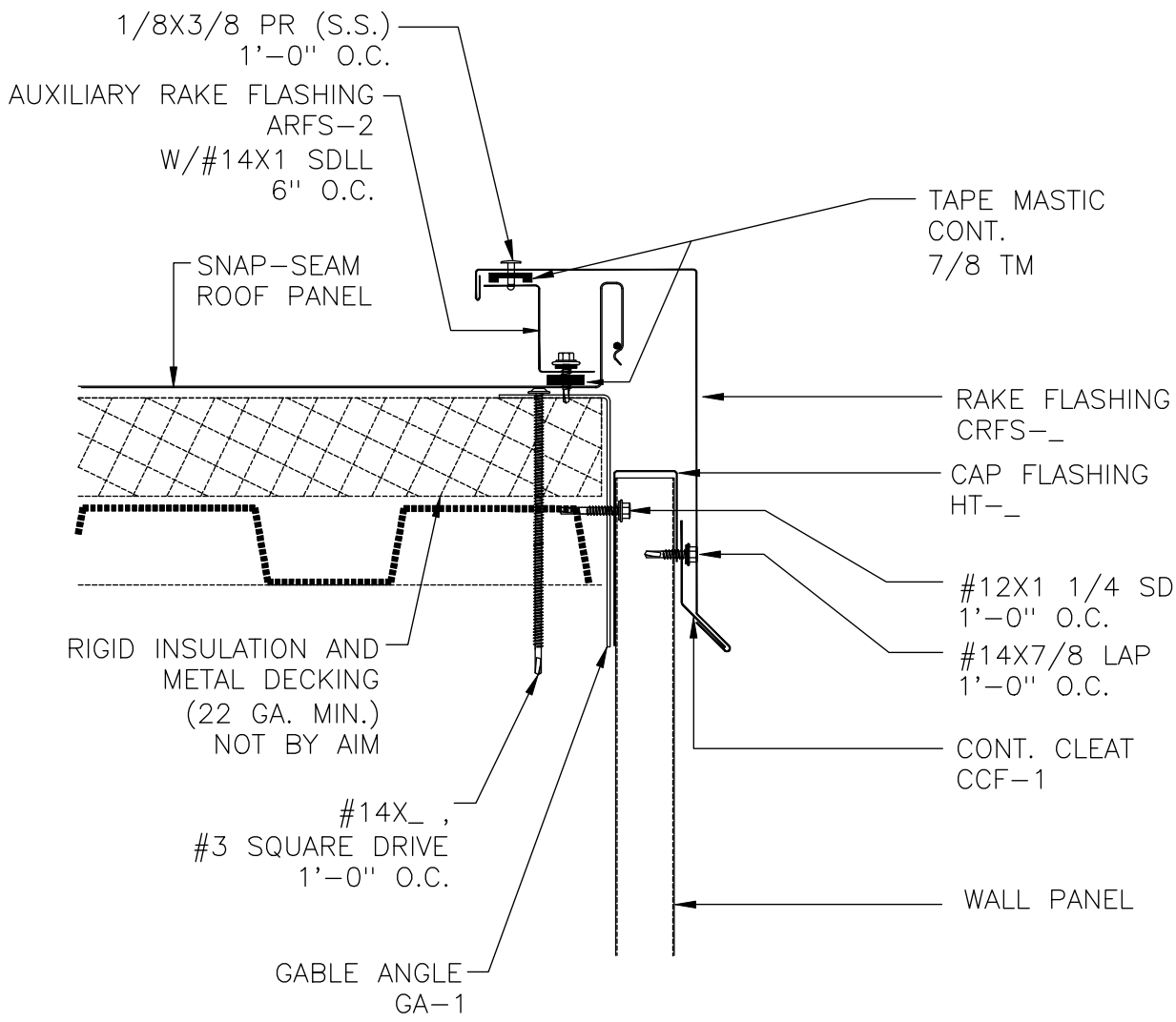
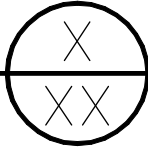


12  
SLOPE 3  
MIN.



CLEATED RAKE ON MDRB (STARTING)  
SNAP-SEAM ROOF PANEL WITH WALL PANEL (PINNED CONDITION)



SCALE: NONE	DATE:
DRAWN BY: KP	02/26/09
CHECKED BY:	
REVISED BY:	

SNAP-SEAM CLEATED  
RAKE (STARTING)  
ON RIGID INSULATION  
AND METAL DECK



DWG NO: SS.2.A.5