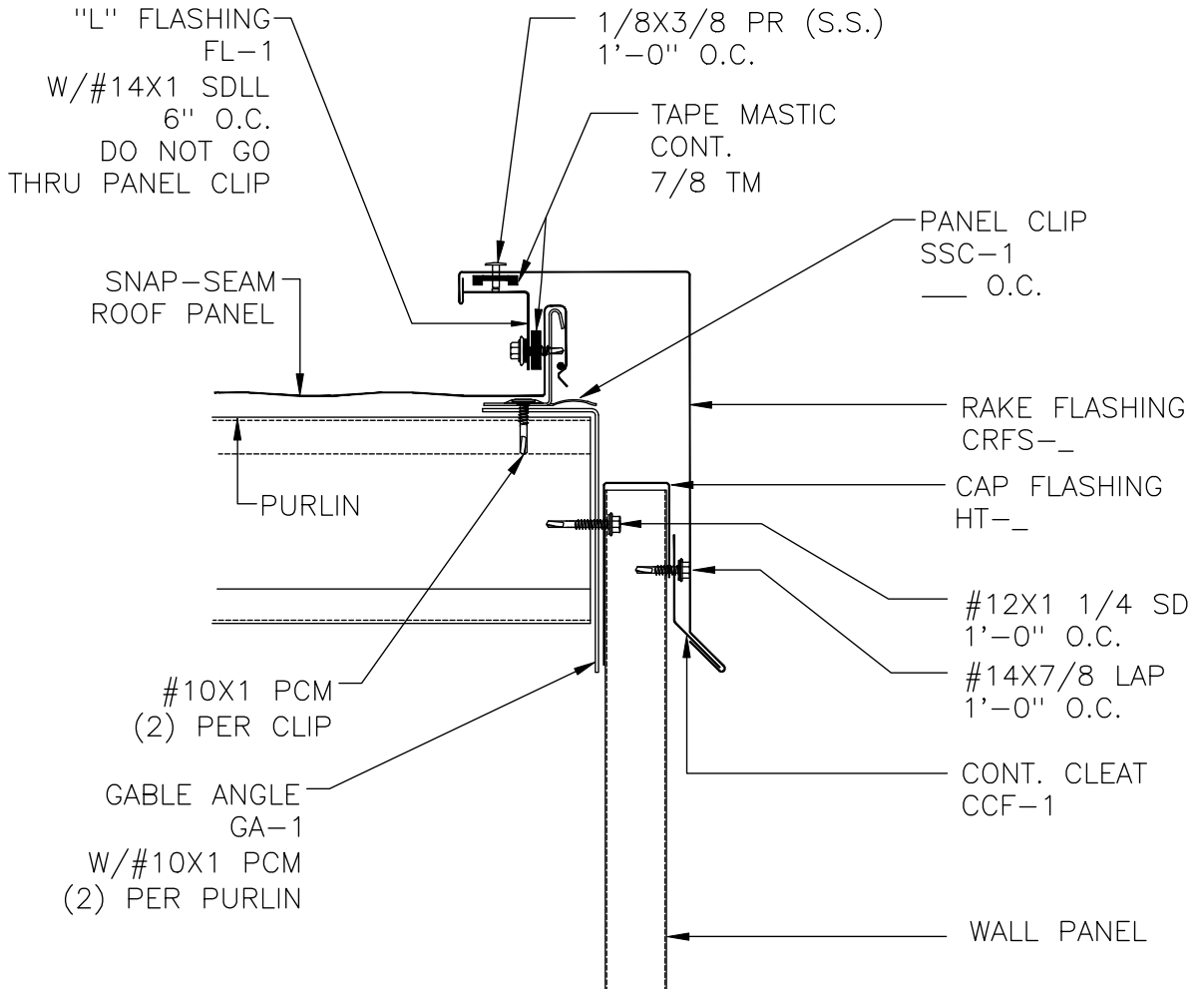
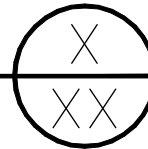


12
SLOPE 3
MIN.



CLEATED RAKE ON FRAMING (STARTING)

SNAP-SEAM ROOF PANEL WITH WALL PANEL (FLOATING CONDITION)



SCALE: NONE

DATE:

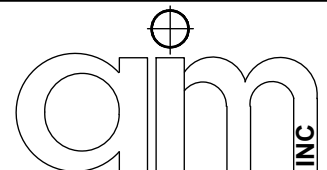
DRAWN BY: KP

02/26/09

CHECKED BY:

REVISED BY:

SNAP-SEAM CLEATED
RAKE (STARTING)
ON FRAMING



DWG NO:

SS.2.B.1