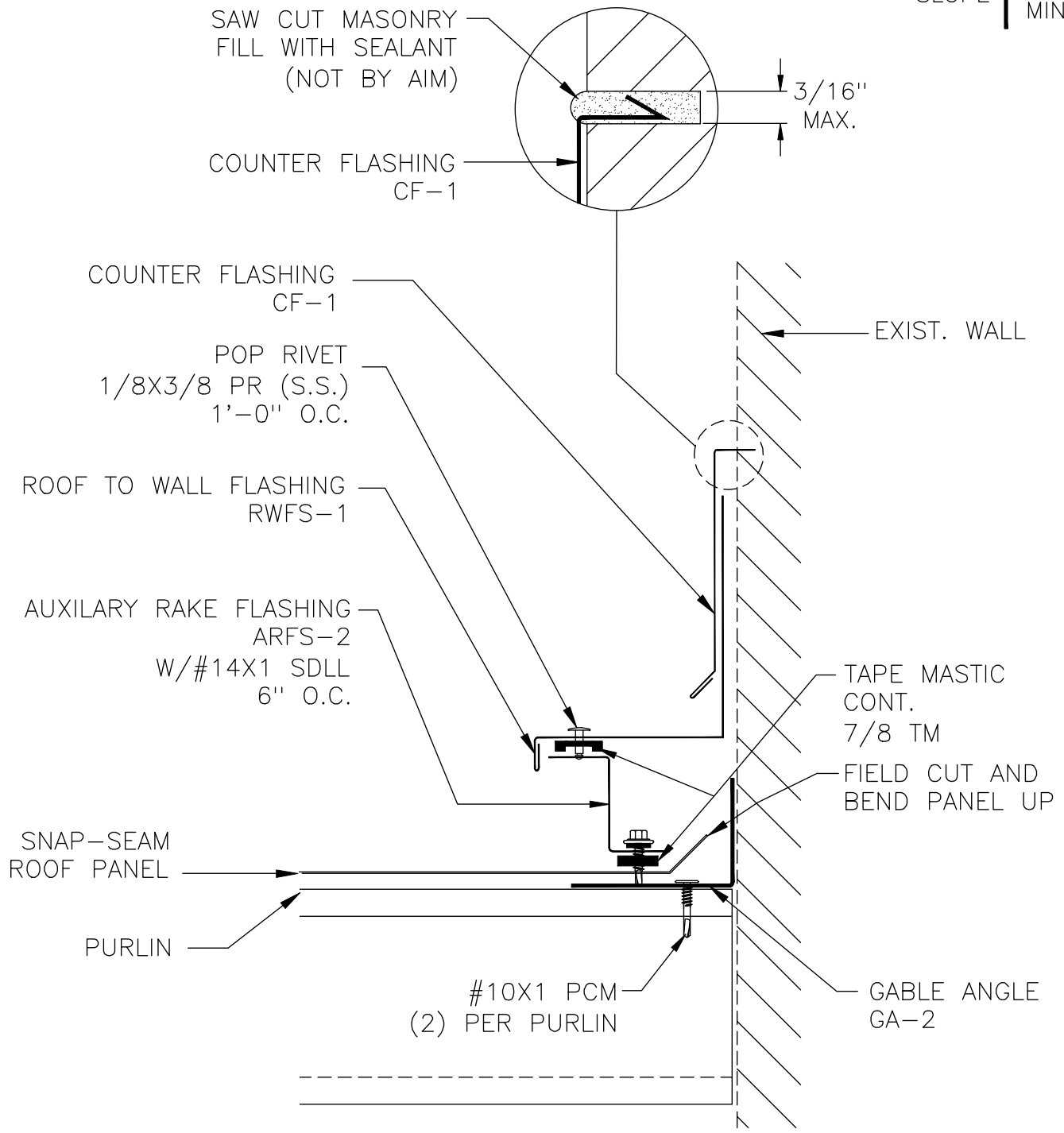
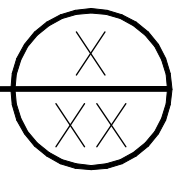


12  
SLOPE 3  
MIN.



GABLE ROOF TO WALL ON FRAMING (ENDING)  
FOR SNAP-SEAM PANEL (PINNED CONDITION)



SCALE: NONE	DATE:
DRAWN BY: KP	03/06/09
CHECKED BY:	
REVISED BY:	

SNAP-SEAM  
GABLE ROOF TO WALL  
ON FRAMING



DWG NO: SS.3.A.2