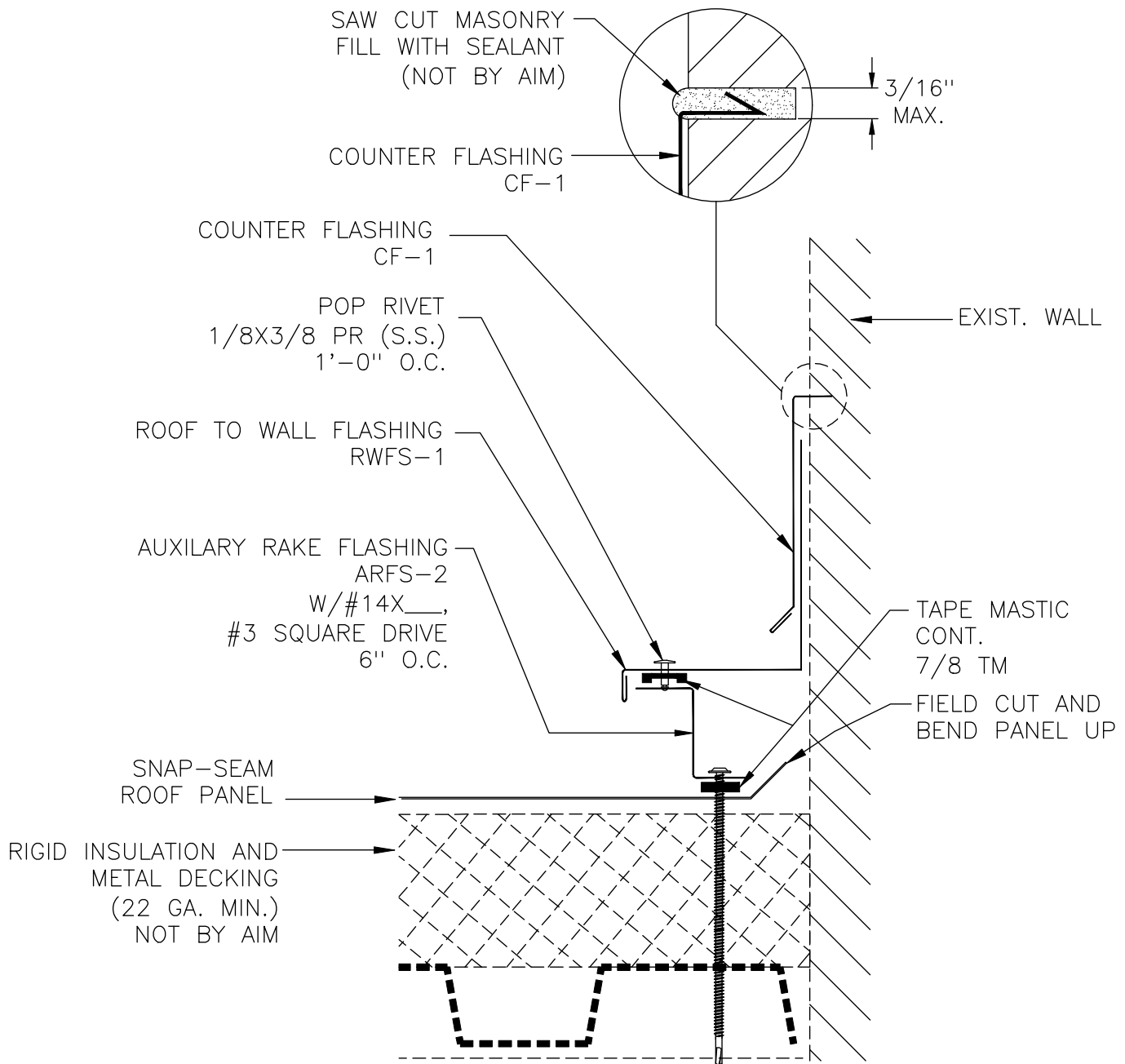
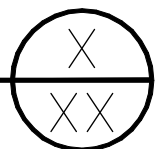


12
SLOPE 3
MIN.



GABLE ROOF TO WALL ON MDRB (ENDING)
FOR SNAP-SEAM PANEL (PINNED CONDITION)



SCALE: NONE	DATE:
DRAWN BY: KP	02/16/09
CHECKED BY:	
REVISED BY:	

SNAP-SEAM
GABLE ROOF TO WALL
ON RIGID INSULATION &
METAL DECK



DWG NO: SS.3.A.6