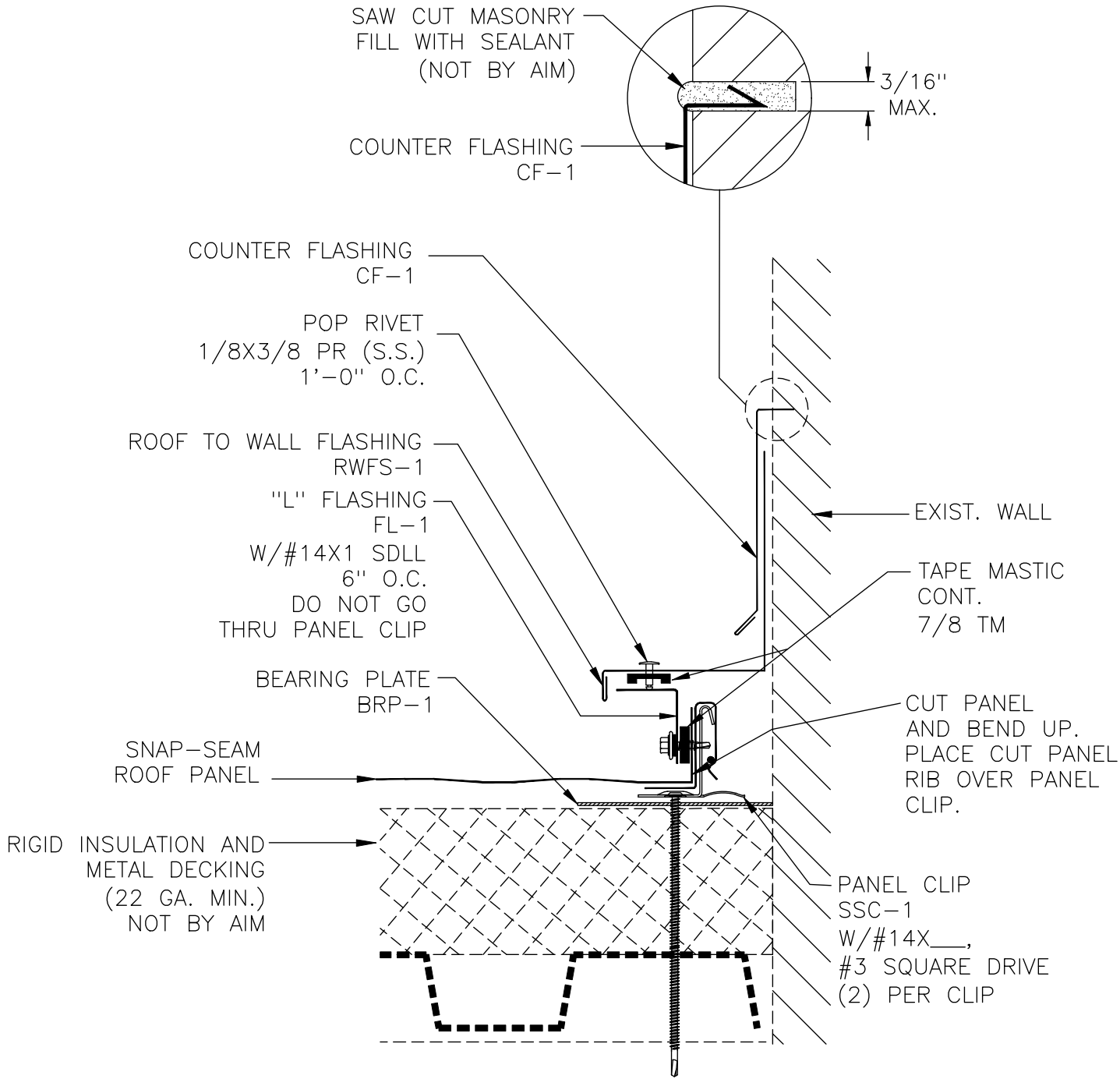
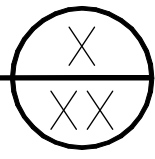


12  
SLOPE 3  
MIN.

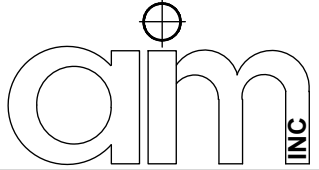


GABLE ROOF TO WALL ON MDRB (ENDING)  
FOR SNAP-SEAM PANELS (FLOATING CONDITION)



SCALE: NONE	DATE:
DRAWN BY: KP	02/16/09
CHECKED BY:	
REVISED BY:	

SNAP-SEAM  
GABLE ROOF TO WALL  
ON RIGID INSULATION &  
METAL DECK



DWG NO: SS.3.D.6