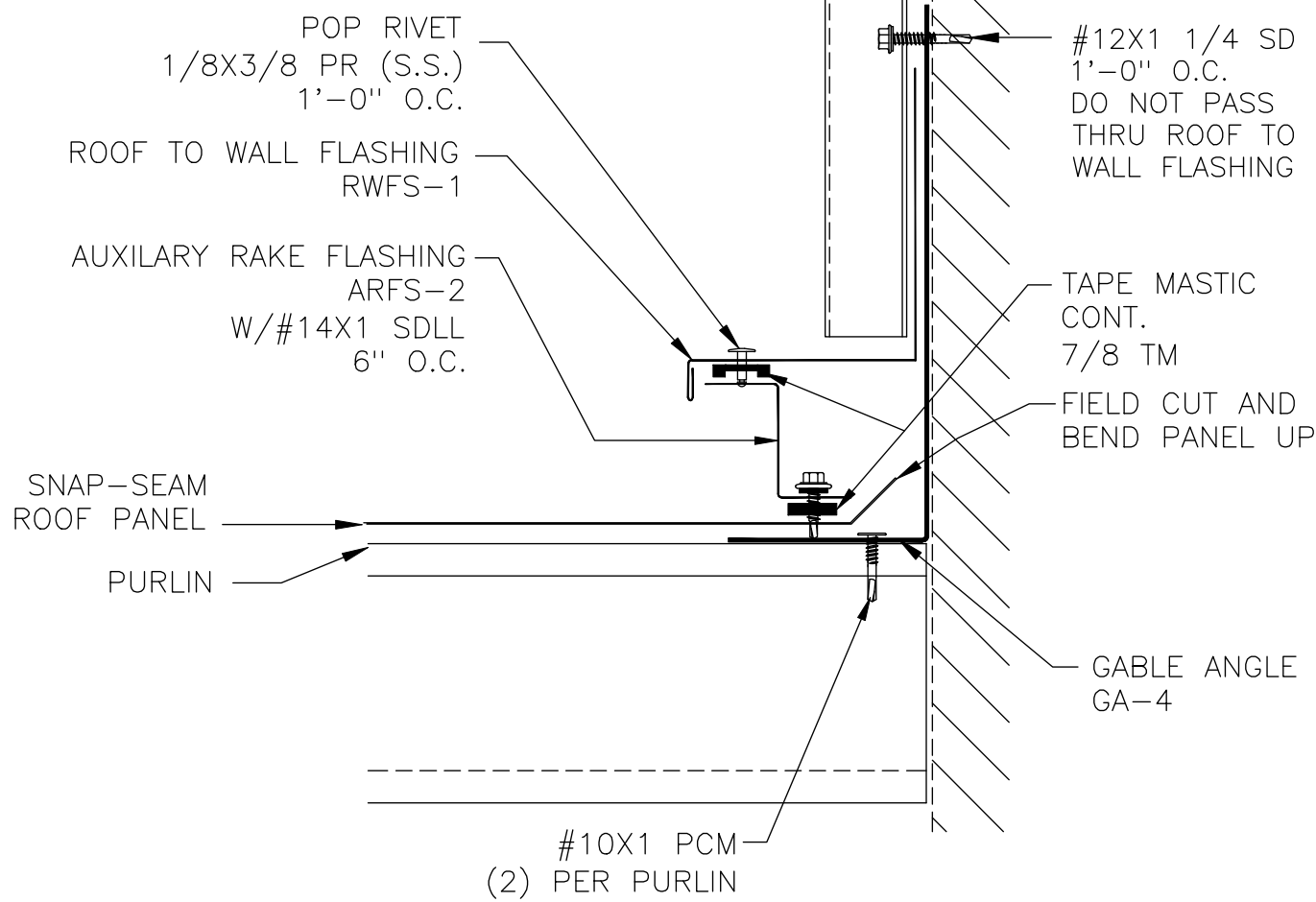
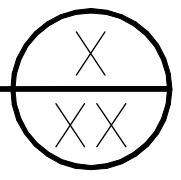


12
SLOPE 3
MIN.

WALL PANEL
SEAL WALL PANEL SIDELAPS WITH 7/8" TAPE
MASTIC DURING INSTALLATION. START MASTIC
AT CLOSURE AND CONTINUE UP SIDELAP 36".



GABLE ROOF TO WALL ON FRAMING (ENDING)
FOR SNAP-SEAM PANEL (PINNED CONDITION)



SCALE: NONE	DATE:
DRAWN BY: KP	03/06/09
CHECKED BY:	
REVISED BY:	

SNAP-SEAM
GABLE ROOF TO WALL
ON FRAMING



DWG NO: SS.3.C.2