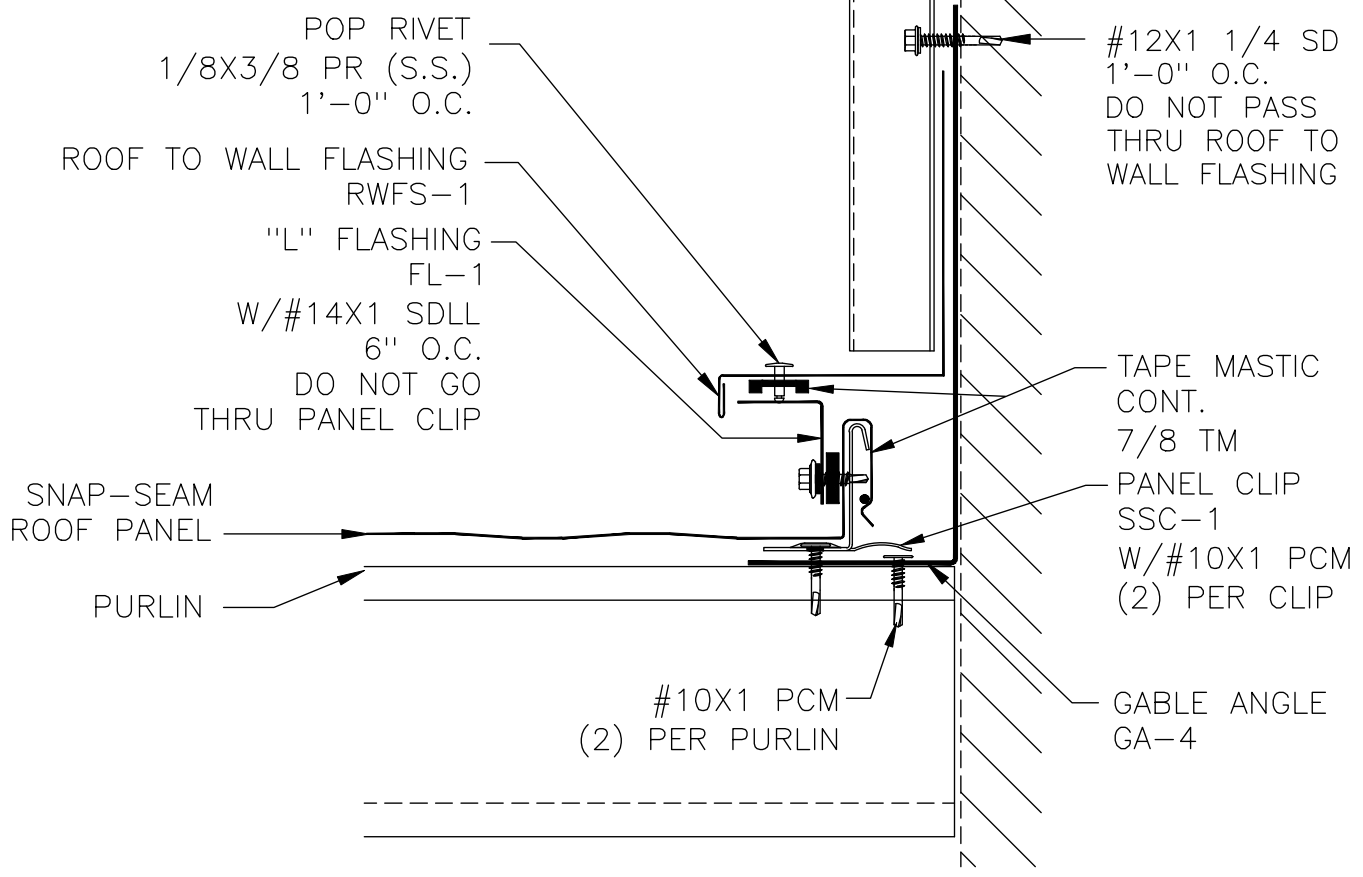
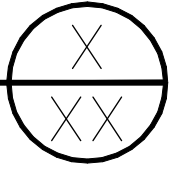


12  
SLOPE 3  
MIN.

WALL PANEL  
SEAL WALL PANEL SIDELAPS WITH 7/8" TAPE MASTIC DURING INSTALLATION. START MASTIC AT CLOSURE AND CONTINUE UP SIDELAP 36".

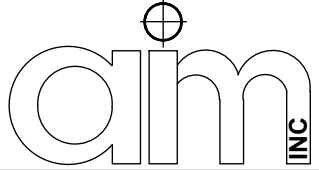


GABLE ROOF TO WALL ON FRAMING (STARTING)  
FOR SNAP-SEAM PANELS (FLOATING CONDITION)



SCALE: NONE	DATE:
DRAWN BY: KP	03/06/09
CHECKED BY:	
REVISED BY:	

SNAP-SEAM  
GABLE ROOF TO WALL  
ON FRAMING



DWG NO: SS.3.F.1