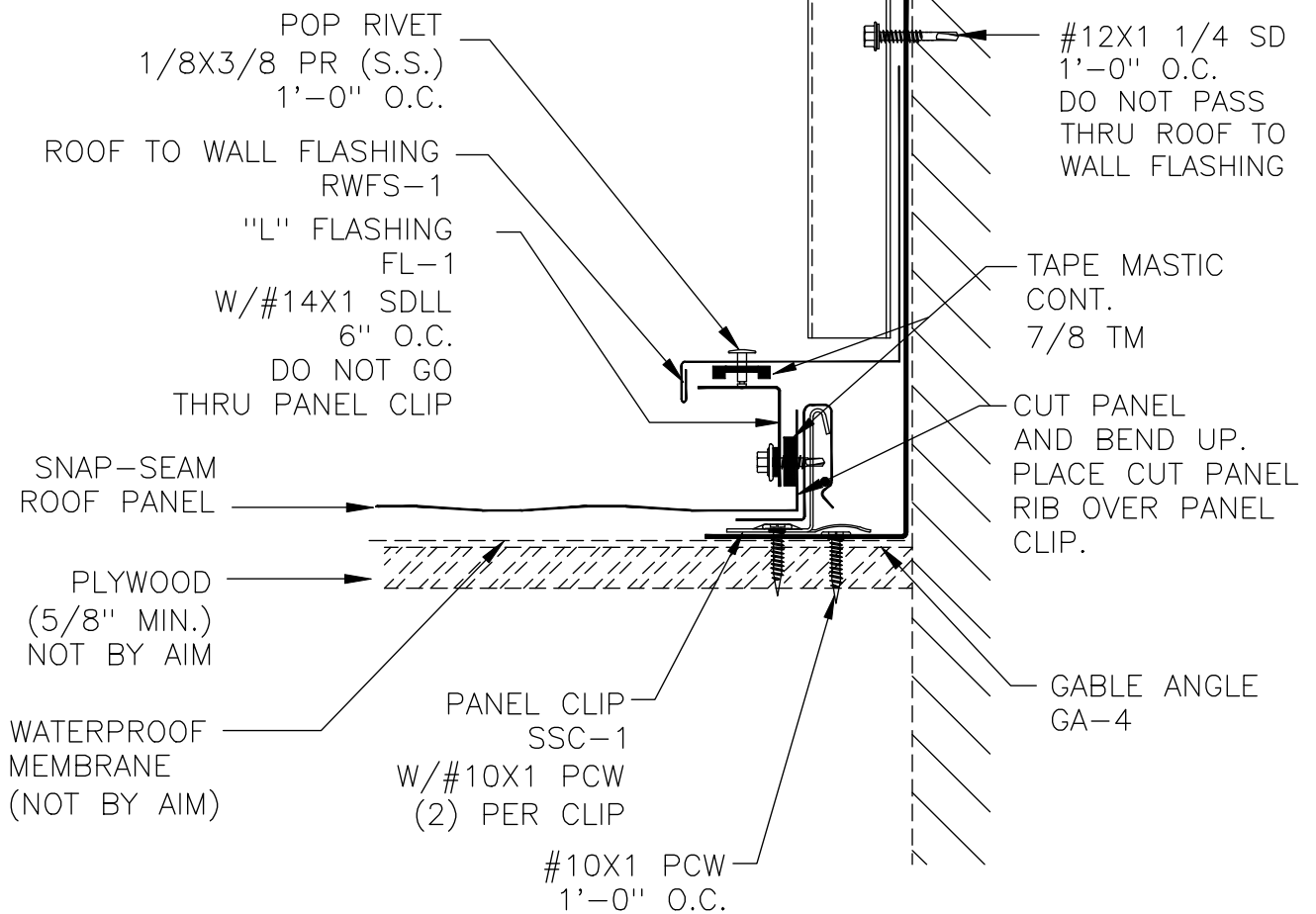
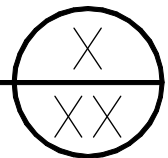


12
SLOPE 3 MIN.

WALL PANEL
SEAL WALL PANEL SIDELAPS WITH 7/8" TAPE MASTIC DURING INSTALLATION. START MASTIC AT CLOSURE AND CONTINUE UP SIDELAP 36".



GABLE ROOF TO WALL ON WOOD (ENDING)
FOR SNAP-SEAM PANELS (FLOATING CONDITION)



SCALE: NONE

DATE:

DRAWN BY: KP

03/06/09

CHECKED BY:

REVISED BY:

SNAP-SEAM
GABLE ROOF TO WALL
ON WOOD DECKING



DWG NO:

SS.3.F.4