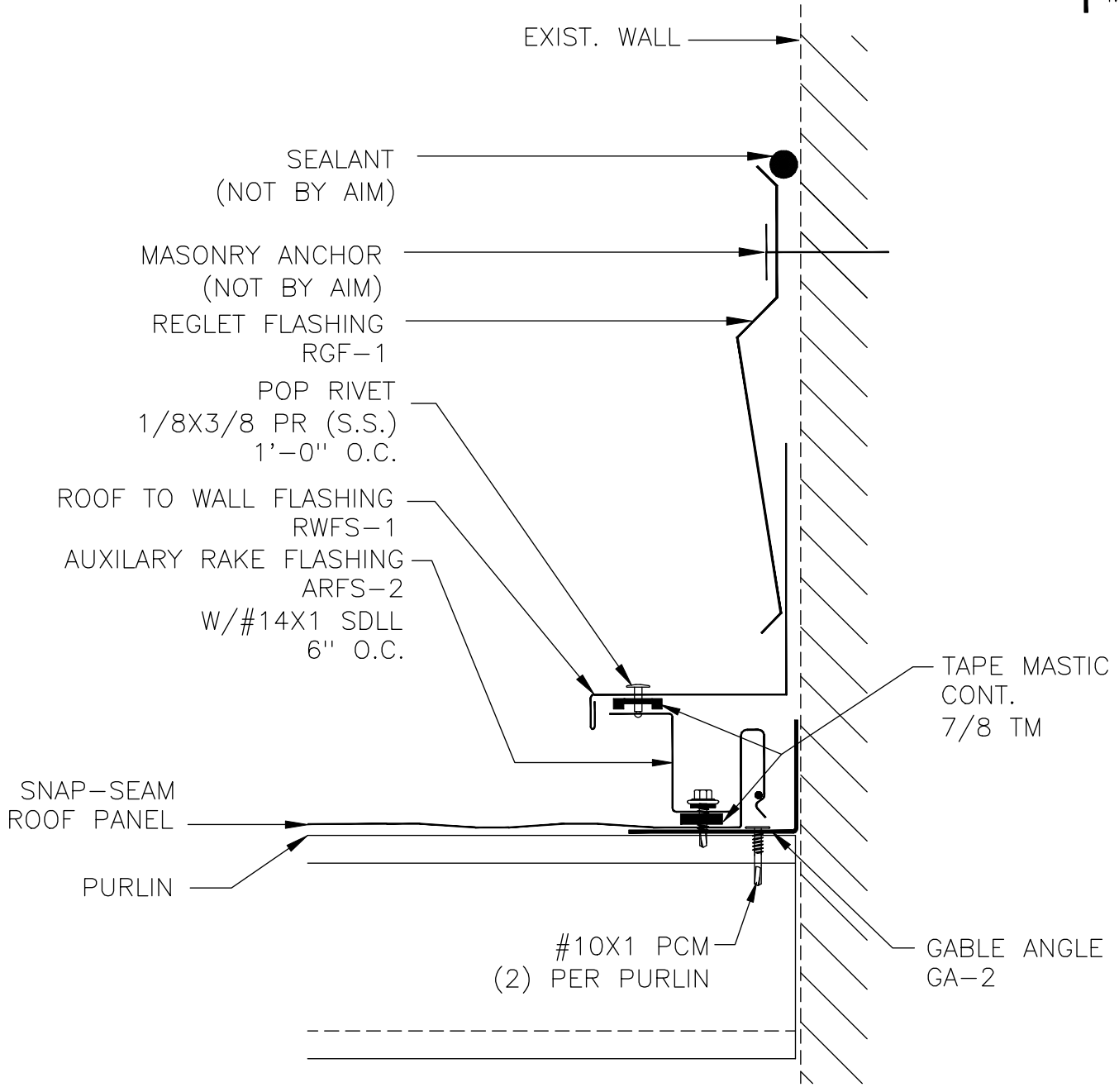
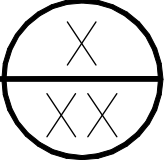


12
SLOPE 3
MIN.



GABLE ROOF TO WALL ON FRAMING (STARTING)
FOR SNAP-SEAM PANEL (PINNED CONDITION)



SCALE: NONE	DATE:
DRAWN BY: KP	03/06/09
CHECKED BY:	
REVISED BY:	

SNAP-SEAM
GABLE ROOF TO WALL
ON FRAMING

DWG NO: SS.3.B.1