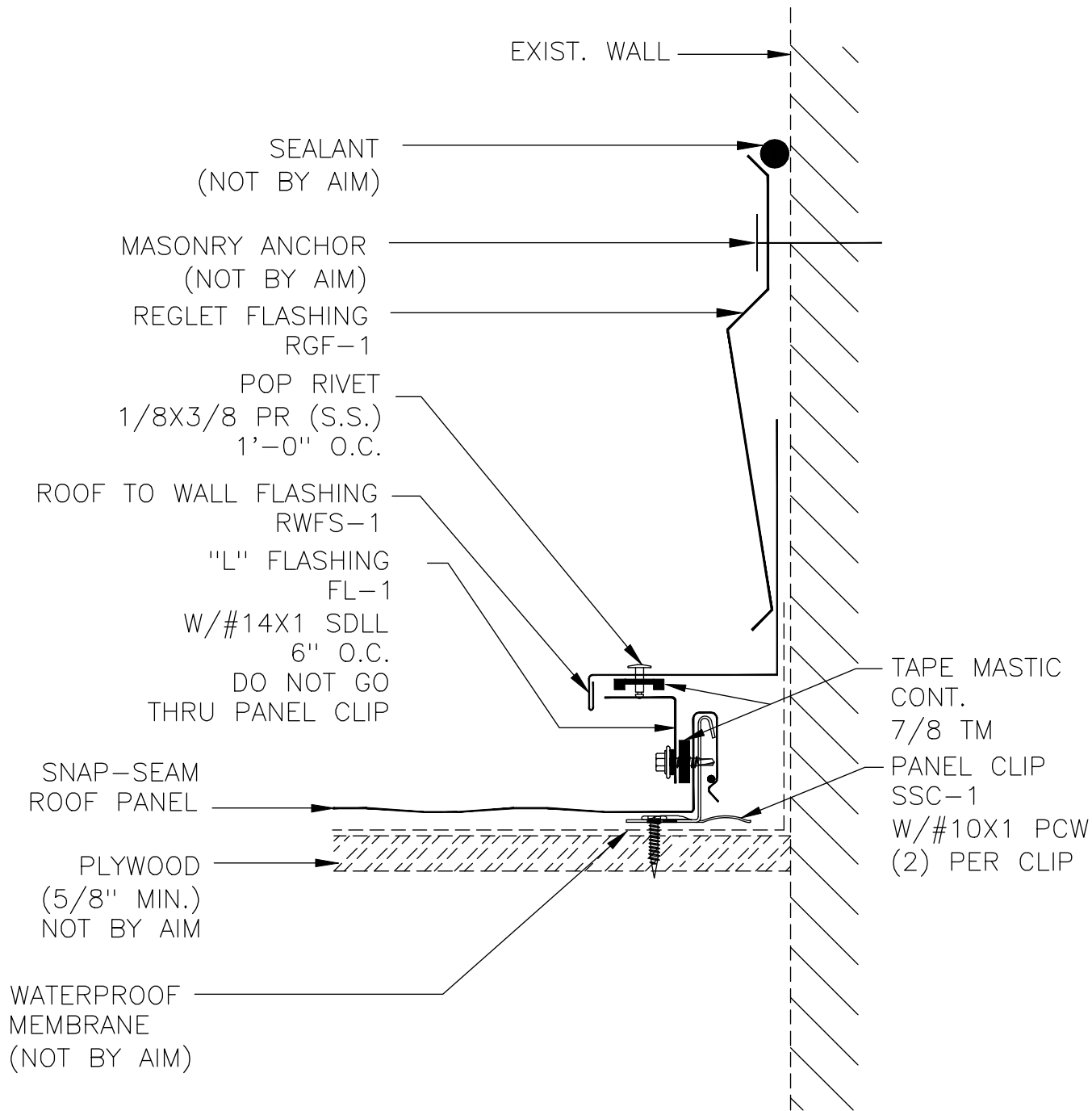
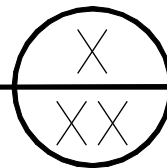


12  
SLOPE 3  
MIN.



GABLE ROOF TO WALL ON WOOD (STARTING)  
FOR SNAP-SEAM PANELS (FLOATING CONDITION)



SCALE: NONE

DATE:

DRAWN BY: KP

03/06/09

CHECKED BY:

REVISED BY:

SNAP-SEAM  
GABLE ROOF TO WALL  
ON WOOD DECKING



DWG NO:

SS.3.E.3