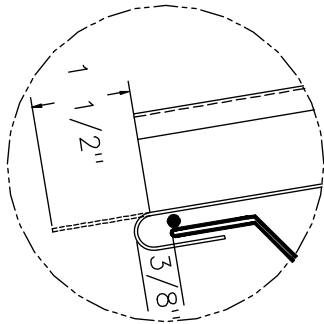
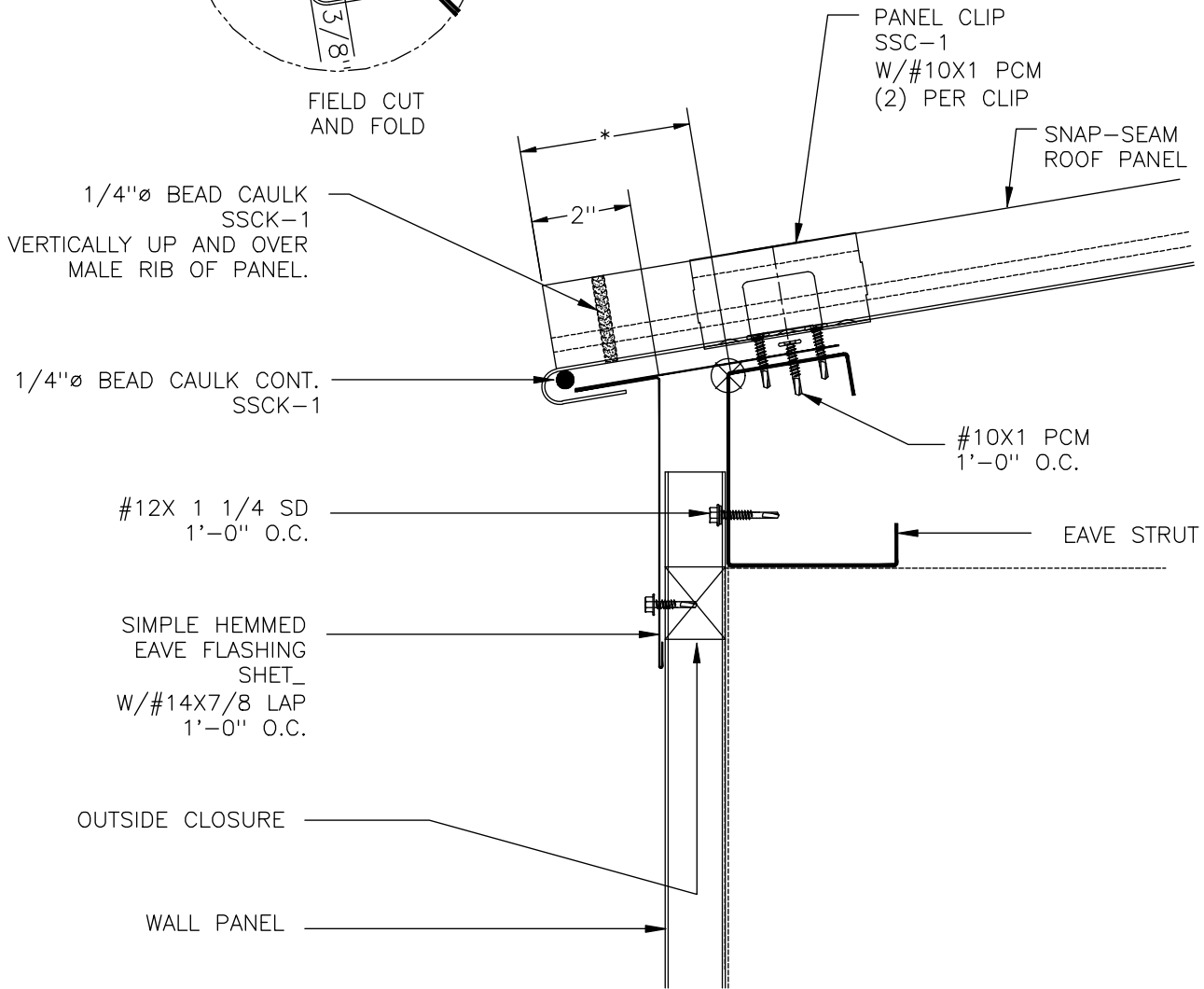


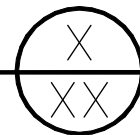
12
SLOPE 3
MIN.



FIELD CUT AND FOLD



SIMPLE HEMMED EAVE ON FRAMING
FOR SNAP-SEAM PANELS WITH WALL PANEL



SCALE: NONE

DATE:

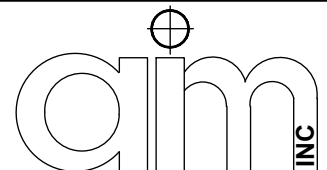
DRAWN BY: KP

02/23/09

CHECKED BY:

REVISED BY:

SNAP-SEAM SIMPLE
HEMMED EAVE DETAIL
ON FRAMING



DWG NO:

SS.1.A.4