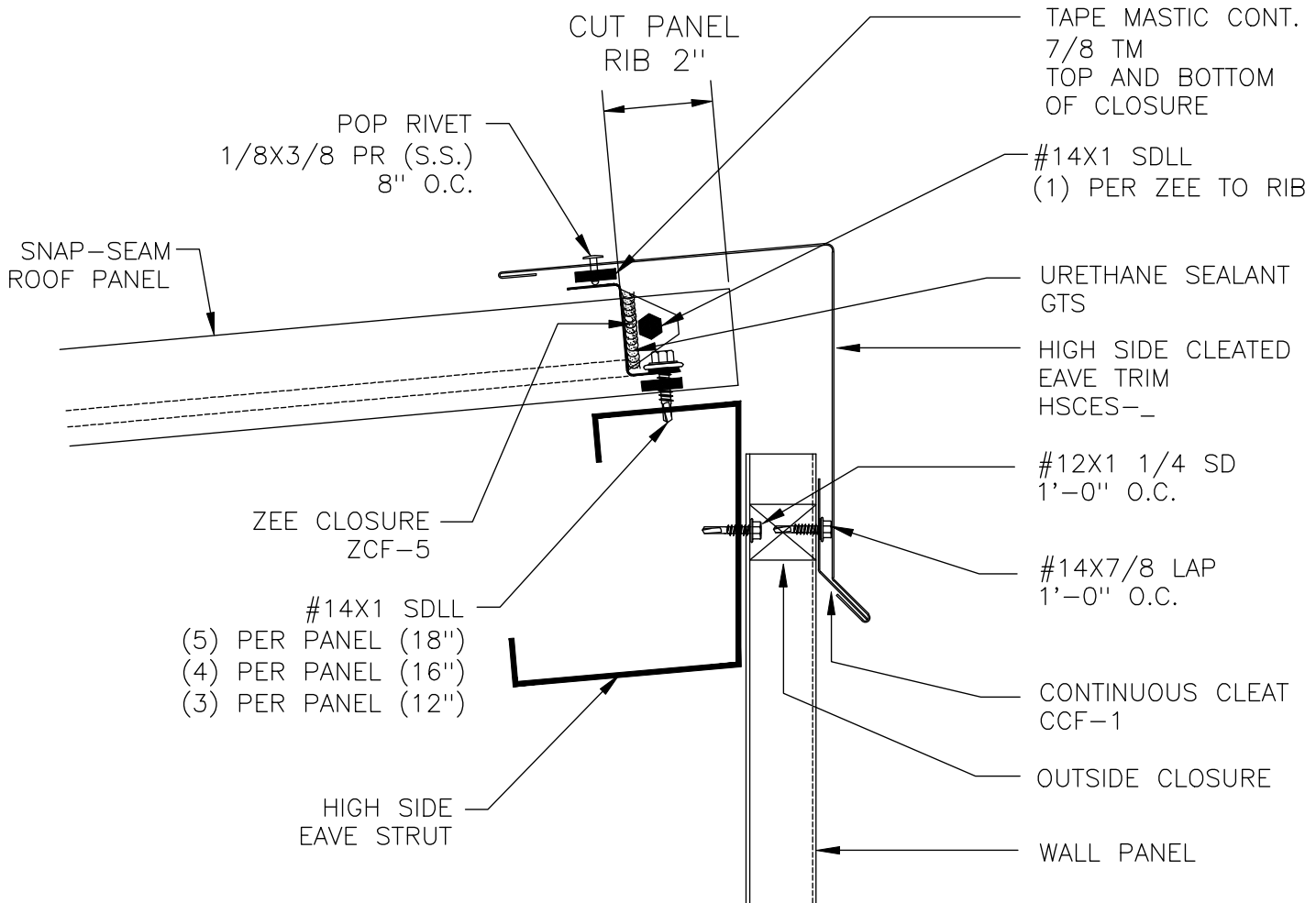


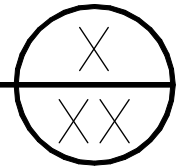
12

SLOPE

3  
MIN.



HIGH SIDE CLEATED EAVE ON FRAMING  
 FOR SNAP-SEAM PANELS WITH ZEE CLOSURE



SCALE: NONE

DATE:

DRAWN BY: KP

02/25/09

CHECKED BY:

REVISED BY:

SNAP-SEAM HIGH SIDE EAVE  
 W/ZEE CLOSURE  
 ON FRAMING



DWG NO:

SS.5.A.1