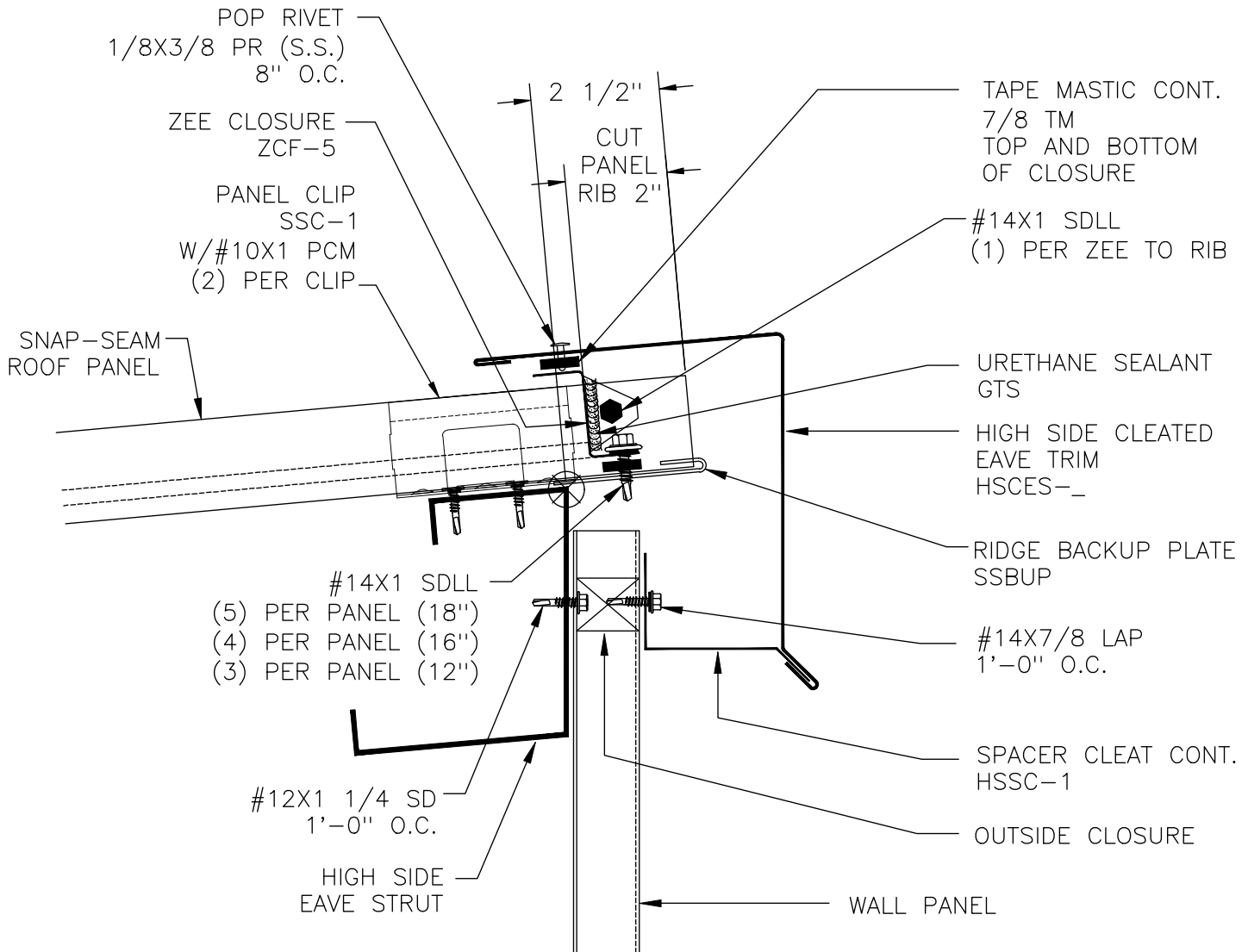


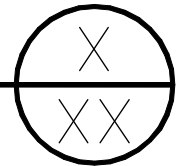
12

SLOPE

3
MIN.



HIGH SIDE CLEATED EAVE ON FRAMING
 FOR SNAP-SEAM PANELS WITH ZEE CLOSURE



SCALE: NONE

DATE:

DRAWN BY: KP

03/02/09

CHECKED BY:

REVISED BY:

SNAP-SEAM HIGH SIDE EAVE
 W/ZEE CLOSURE
 ON FRAMING



DWG NO:

SS.5.B.1