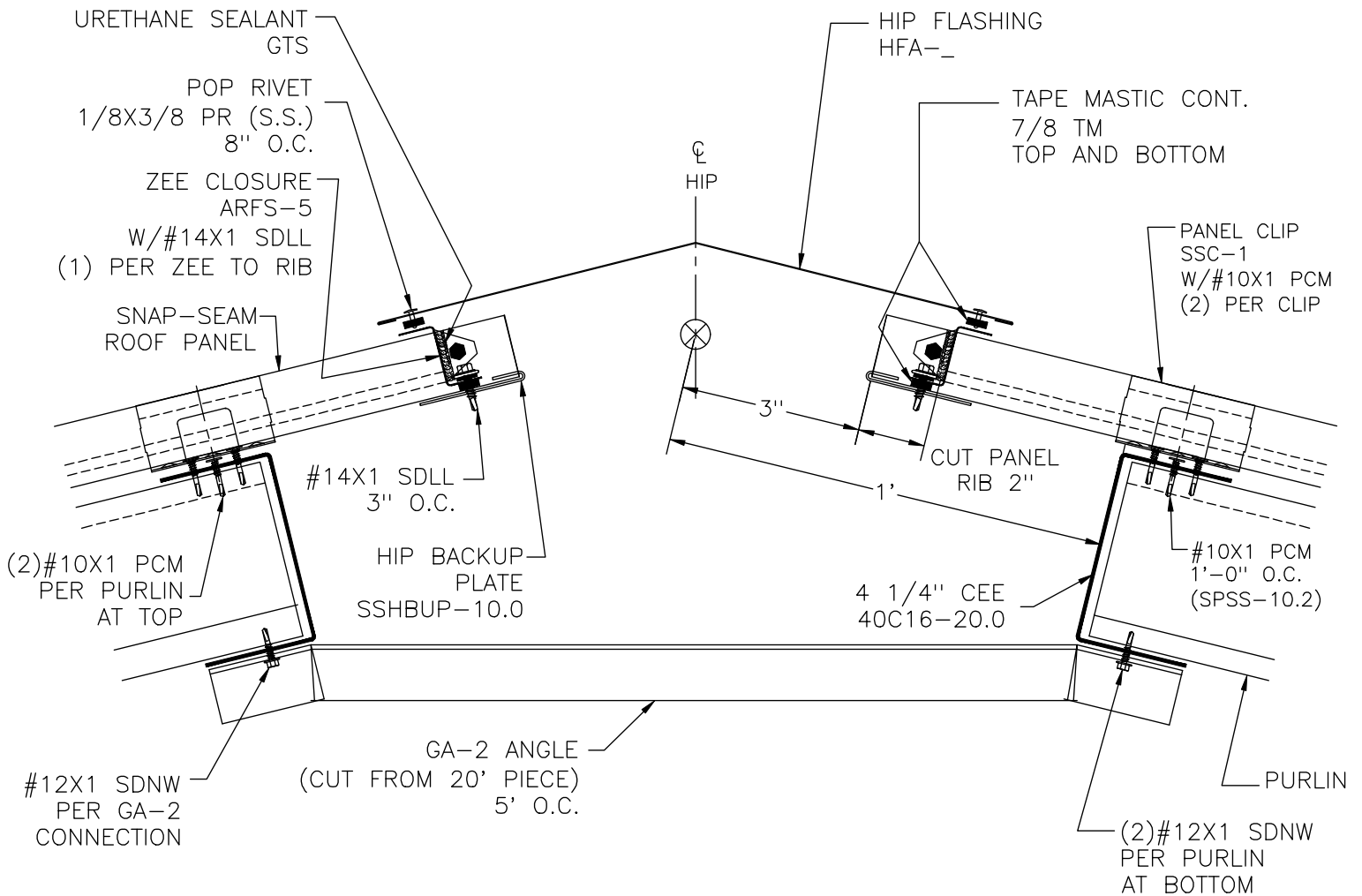
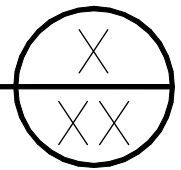


12
SLOPE 3
MIN.



STANDARD HIP ON FRAMING
FOR SNAP-SEAM PANELS WITH ZEE CLOSURE



SCALE: NONE	DATE:
DRAWN BY: KP	03/02/09
CHECKED BY:	
REVISED BY:	

SNAP-SEAM STANDARD HIP
W/ZEE CLOSURE
ON FRAMING



DWG NO: SS.7.B.1