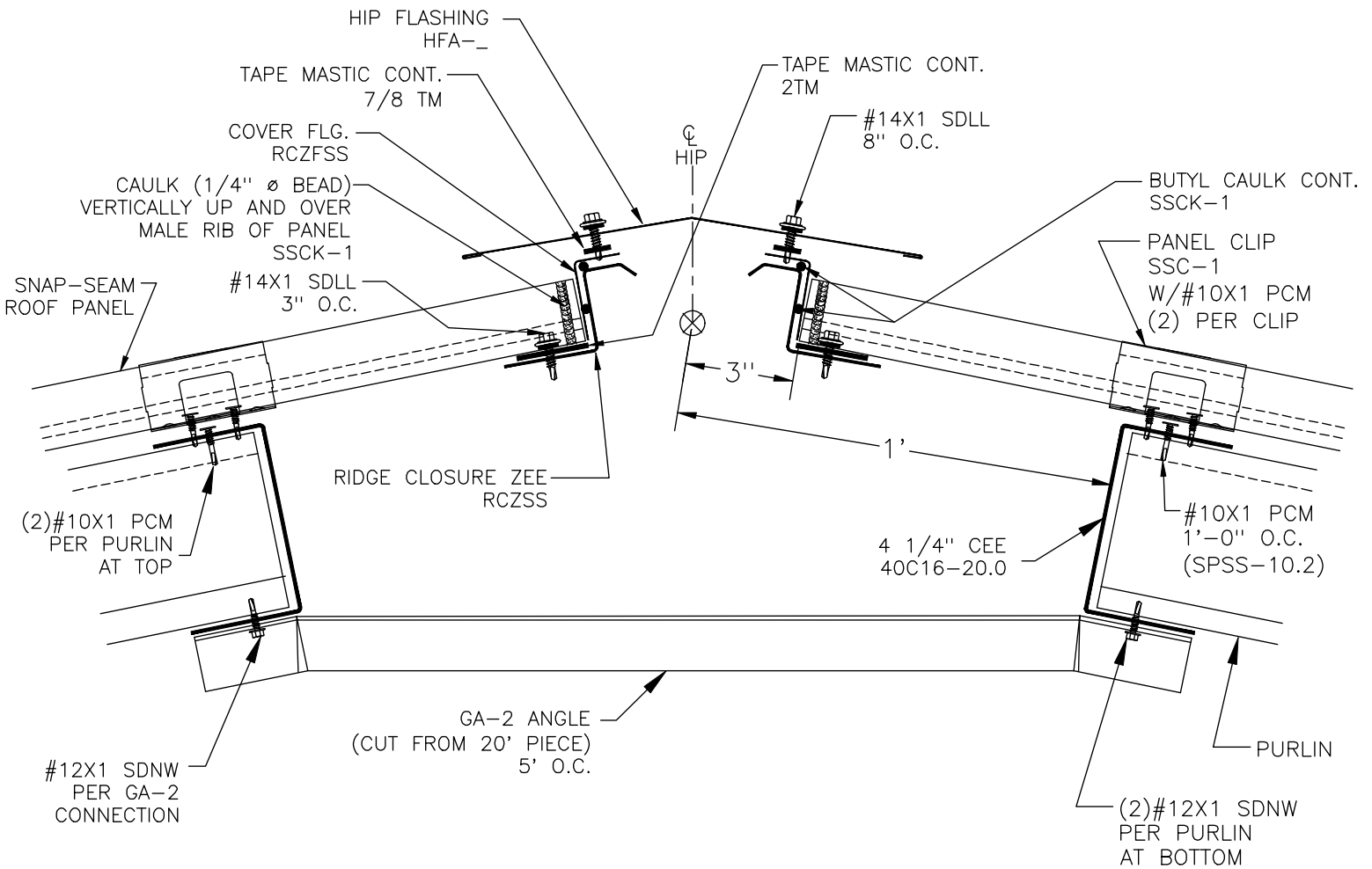
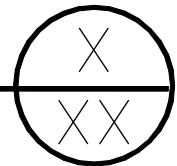


12
SLOPE 3
MIN.



STANDARD HIP ON FRAMING
FOR SNAP-SEAM PANELS WITH RIDGE CLOSURE ZEE



SCALE: NONE

DATE:

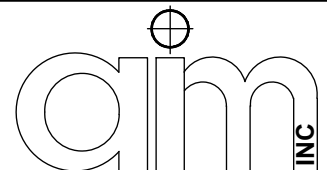
DRAWN BY: KP

03/02/09

CHECKED BY:

REVISED BY:

SNAP-SEAM STANDARD HIP
W/RIDGE CLOSURE ZEE
ON FRAMING



DWG NO:

SS.7.B.4