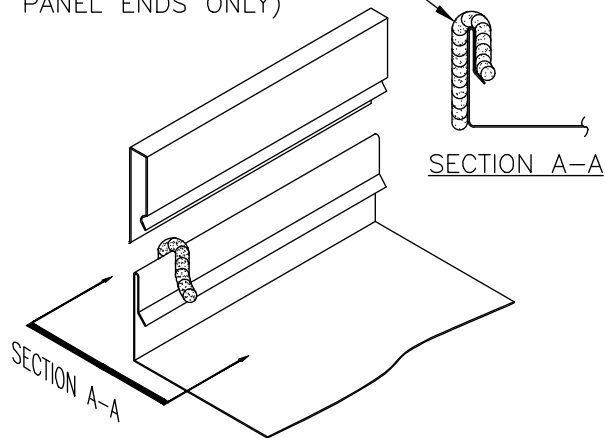


1/4"Ø BEAD BUTYL CAULK (SSCK-1)
 VERTICALLY UP AND OVER MALE RIB
 OF PANEL. (AT PANEL ENDS ONLY)



SIDELAP SEALANT DETAIL AT PANEL END
 FOR SNAP-SEAM PANELS AT EAVE, RIDGE,
 HIP & HIGHSIDE EAVE



SCALE: NONE	DATE:
DRAWN BY: EC	07/07/04
CHECKED BY:	
REVISED BY: KP	03/02/09

SNAP-SEAM
 SEALANT DETAILS



DWG NO: SS.9.A.5