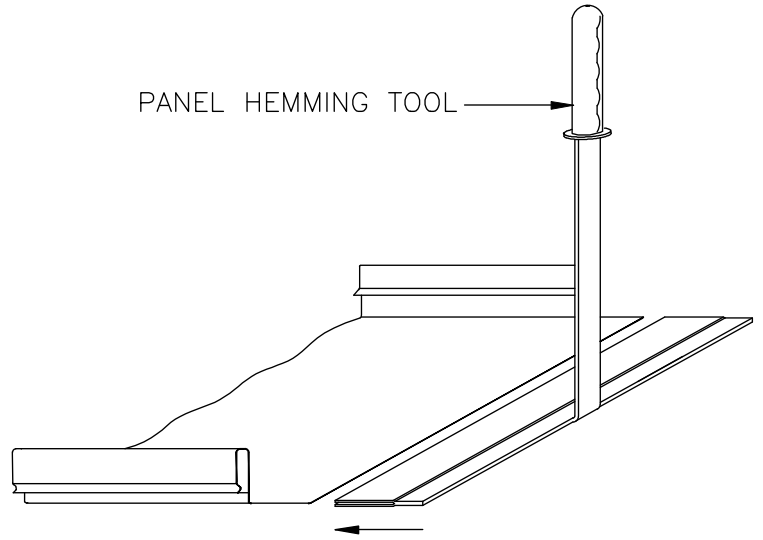
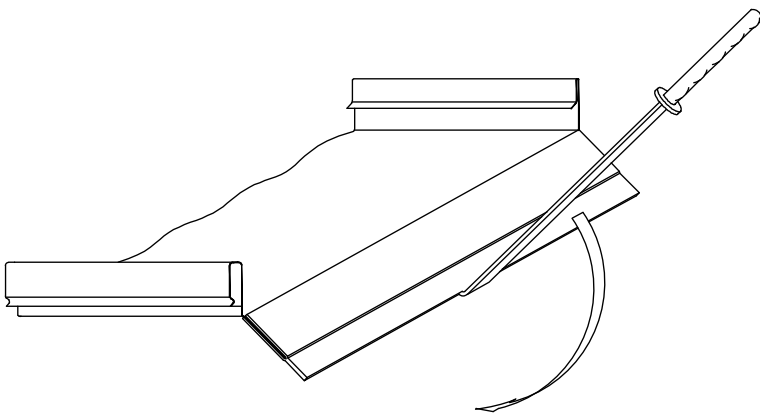


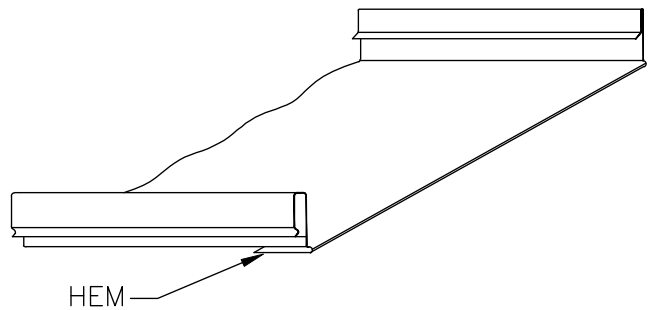
1. FIELD NOTCH VERTICAL RIBS



2. SLIDE HEMMING TOOL OVER PANEL FLAT



3. ROTATE HEMMING TOOL 180°



4. COMPLETED HEM

SCALE: NONE

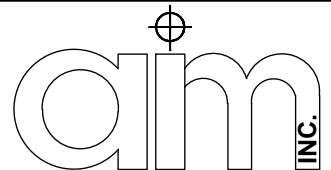
DATE:

DRAWN BY: EC

7/7/04

CHECKED BY:

SNAP-SEAM  
PANEL HEMMING PROCESS



DWG NO:

SS.9.A.3