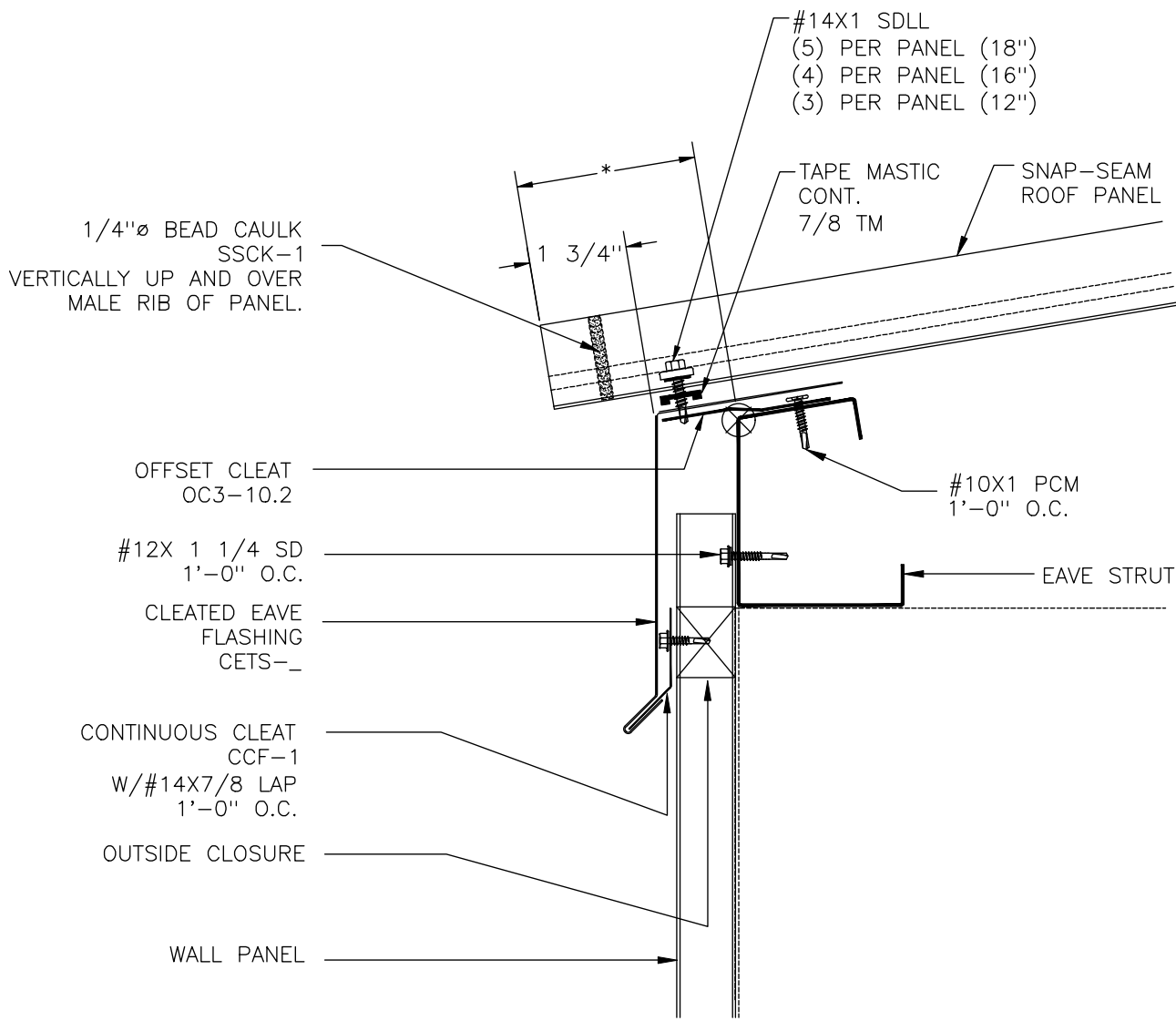
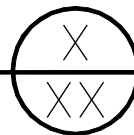


12
SLOPE 3
MIN.



CLEATED EAVE ON FRAMING
FOR SNAP-SEAM PANELS WITH WALL PANEL



SCALE: NONE	DATE:
DRAWN BY: KP	03/02/09
CHECKED BY:	
REVISED BY:	

SNAP-SEAM CLEATED
EAVE DETAIL
ON FRAMING

DWG NO: SS.1.B.1