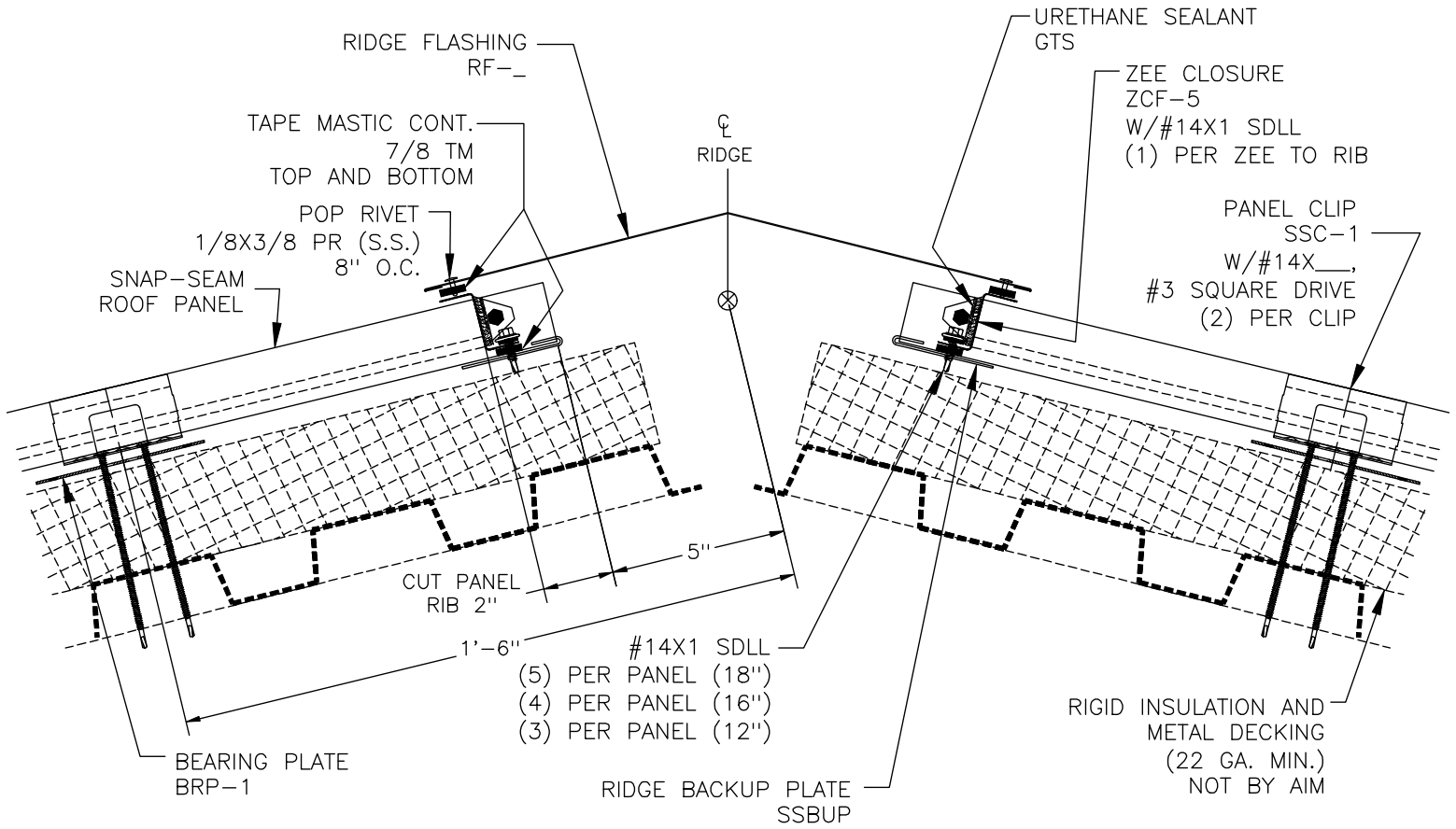
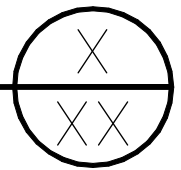


12
SLOPE 3
MIN.



STANDARD RIDGE ON MDRB
FOR SNAP-SEAM PANELS WITH ZEE CLOSURE



SCALE: NONE	DATE:
DRAWN BY: KP	03/02/09
CHECKED BY:	
REVISED BY:	

SNAP-SEAM STANDARD RIDGE
W/ ZEE CLOSURE
ON RIGID INSULATION
AND METAL DECK



DWG NO: SS.6.C.3