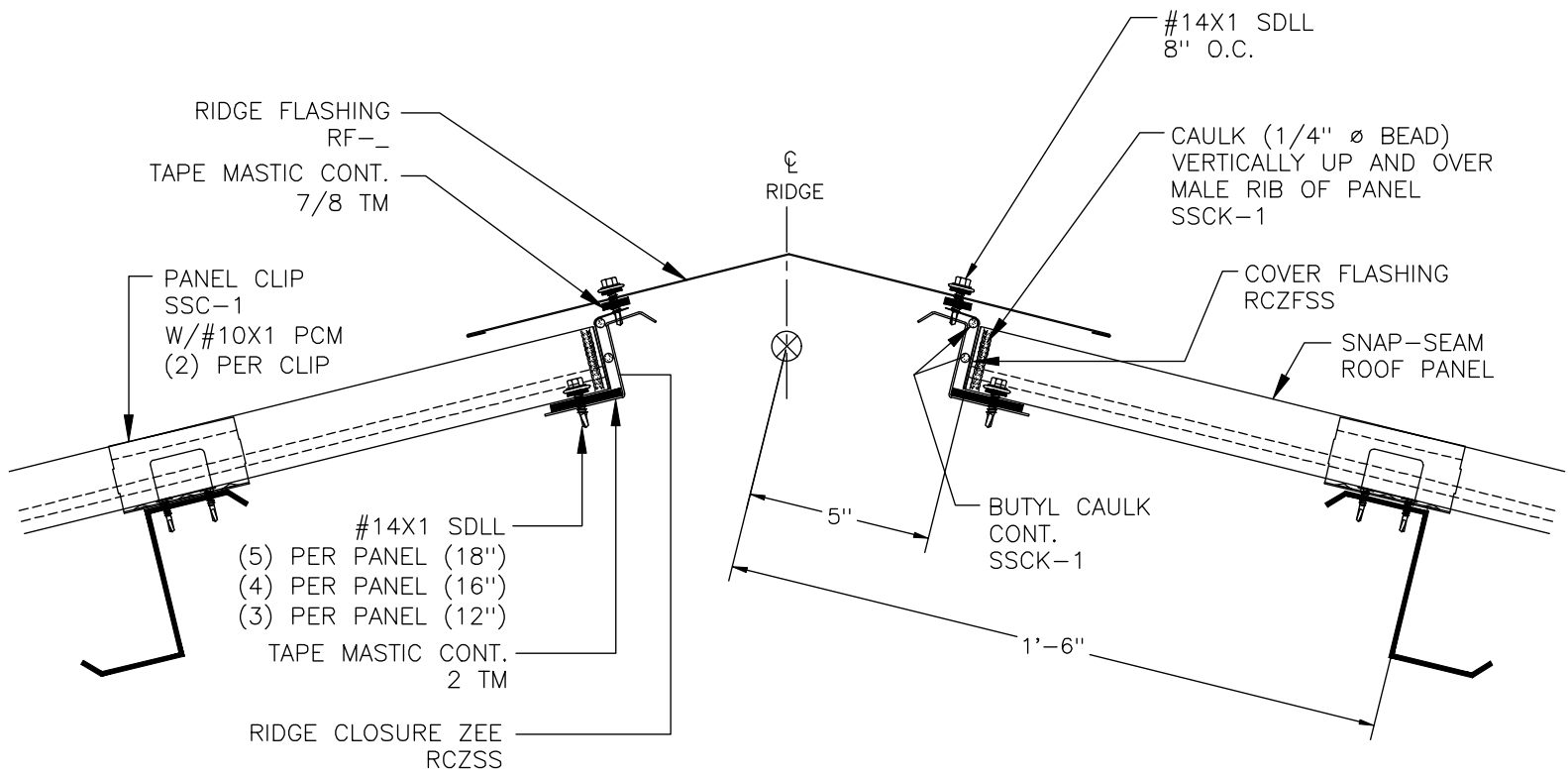
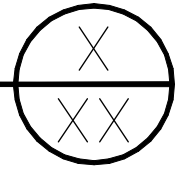


12
SLOPE 3
MIN.



STANDARD RIDGE ON FRAMING
FOR SNAP-SEAM PANELS WITH RIDGE CLOSURE ZEE



SCALE: NONE	DATE:
DRAWN BY: KP	03/02/09
CHECKED BY:	
REVISED BY:	

SNAP-SEAM
STANDARD RIDGE
W/RIDGE CLOSURE ZEE
ON FRAMING



DWG NO: SS.6.C.4